

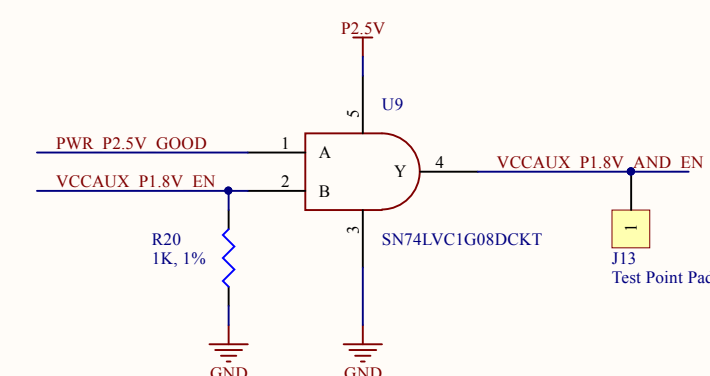
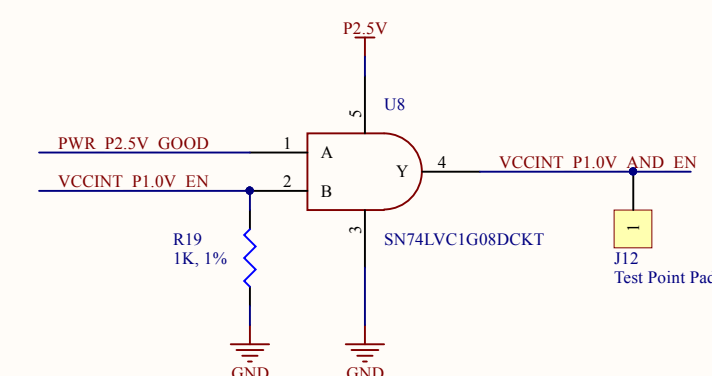
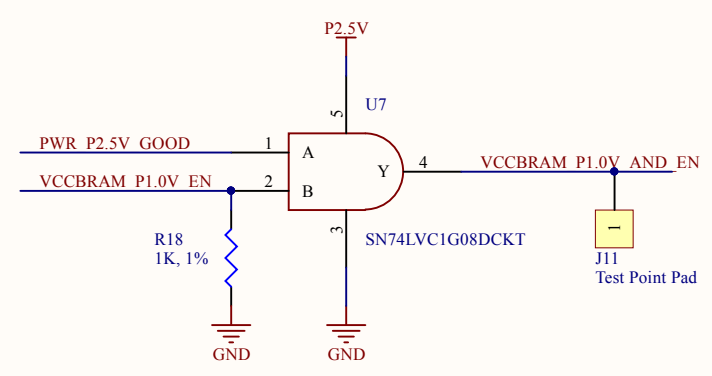
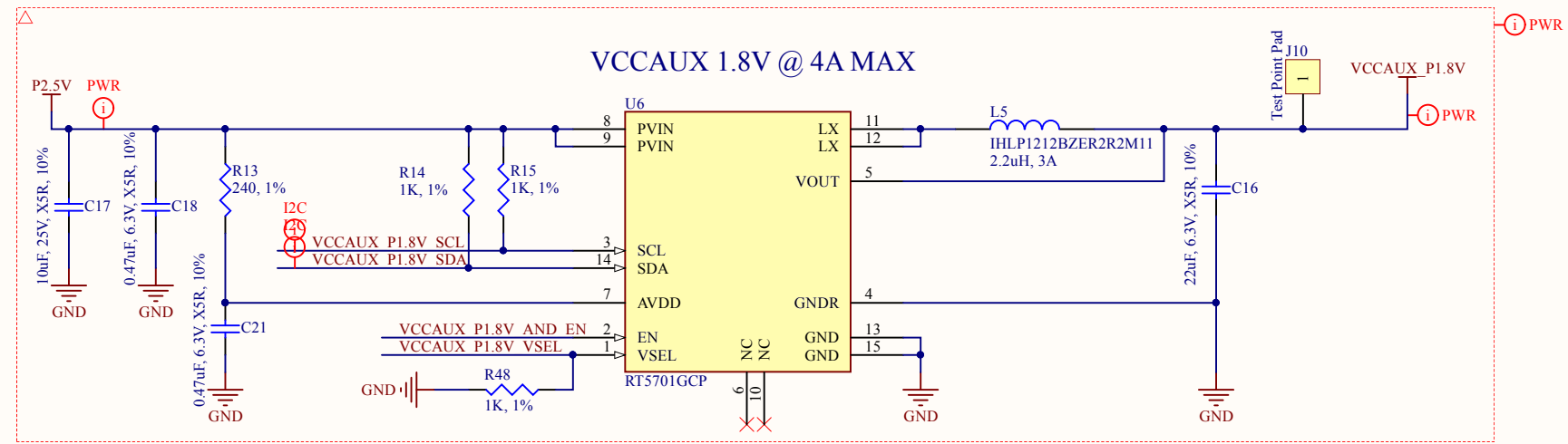
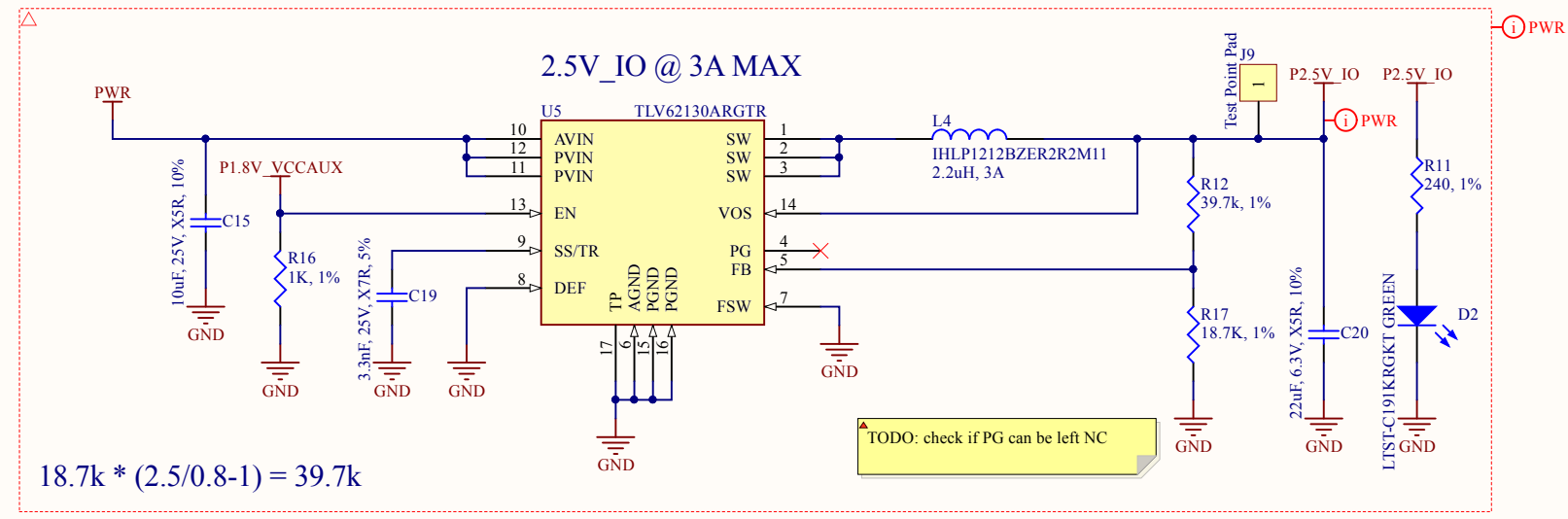
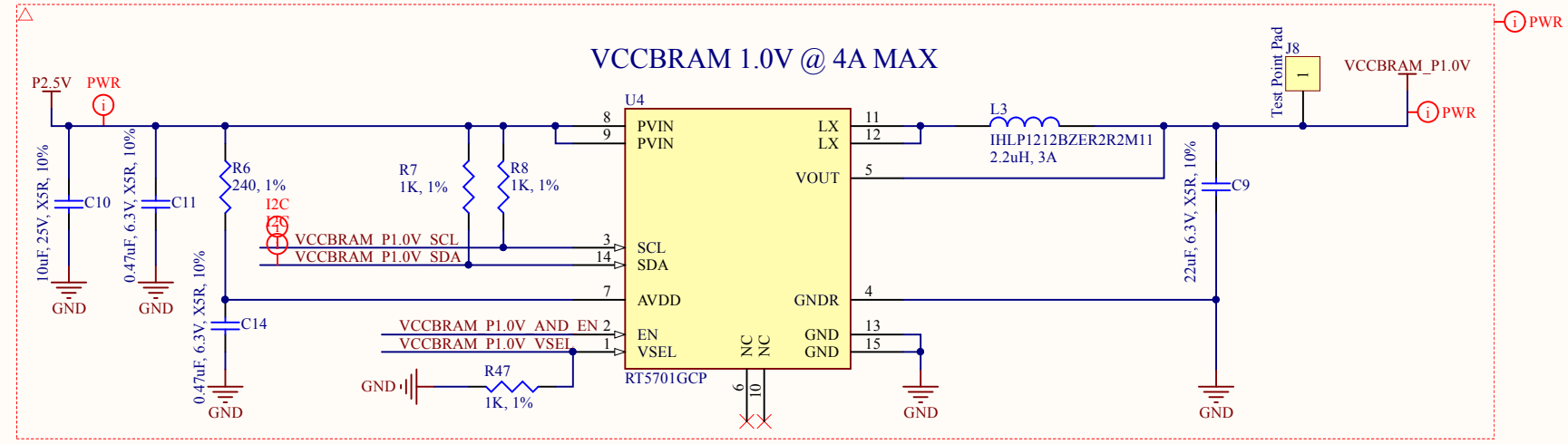
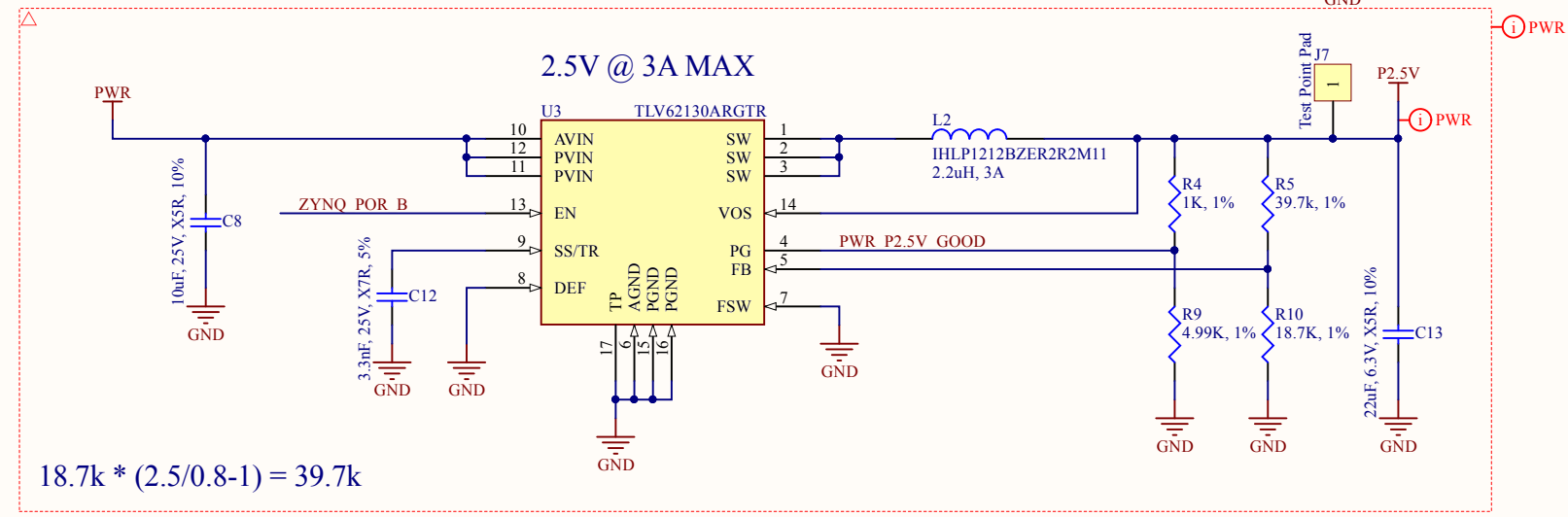
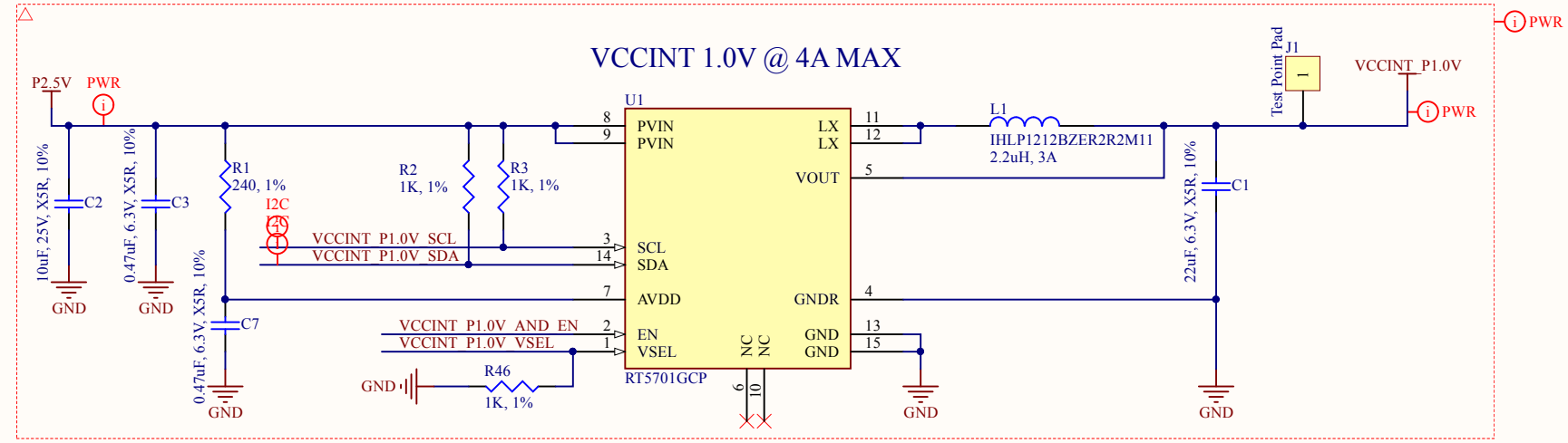
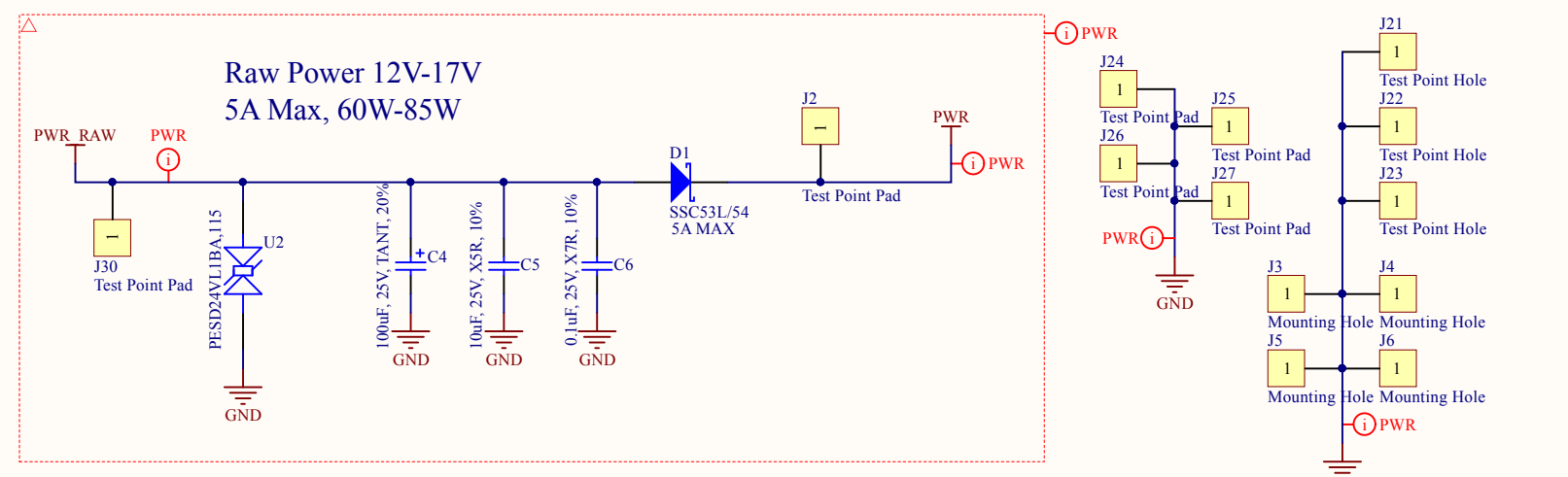


DUT Rev 1
2/2017



Size: B	DUT	Rev 1
Date: 2/6/2017	Julian Lupu	Sheet 1 of 6
File: 00overview.SchDoc		

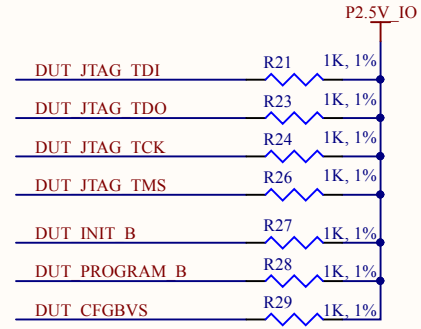
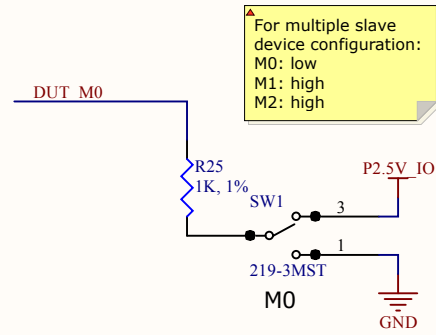
Power Sequence Order: 2.5V -> VCCINT_1.0V -> VCCBRAM_1.0V -> VCCAUX_1.8V -> 2.5V_IO



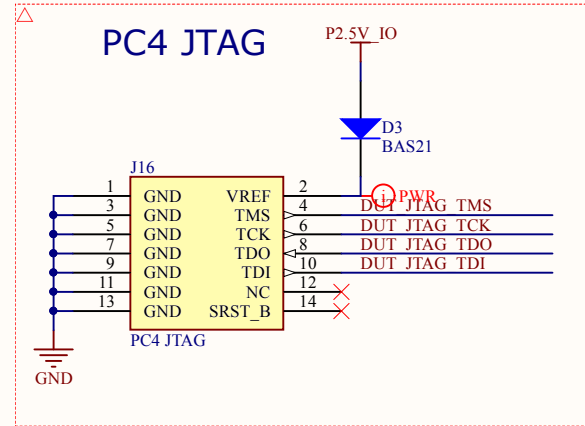
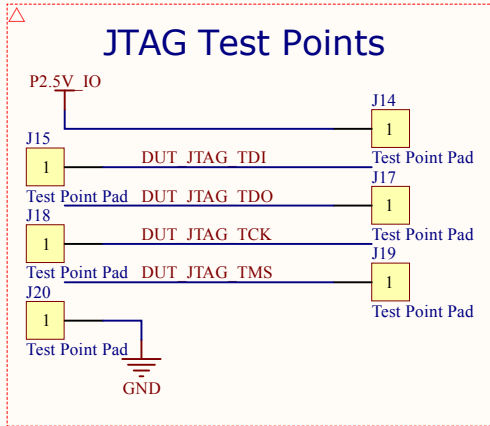
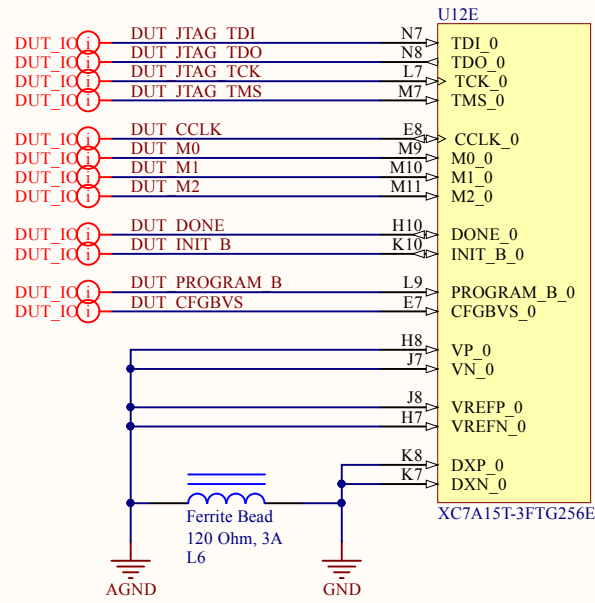
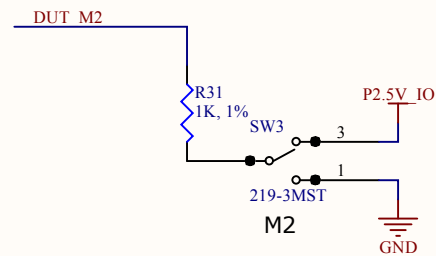
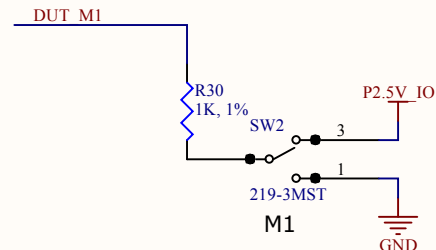
Need to power sequence the part. Since we I2C the voltage in, it needs to be done manually by gemini board.

2.5V ->
VCCINT_1.0V ->
VCCBRAM_1.0V ->
VCCAUX_1.8V ->
2.5V_IO

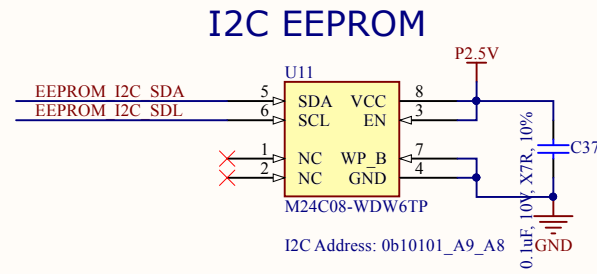
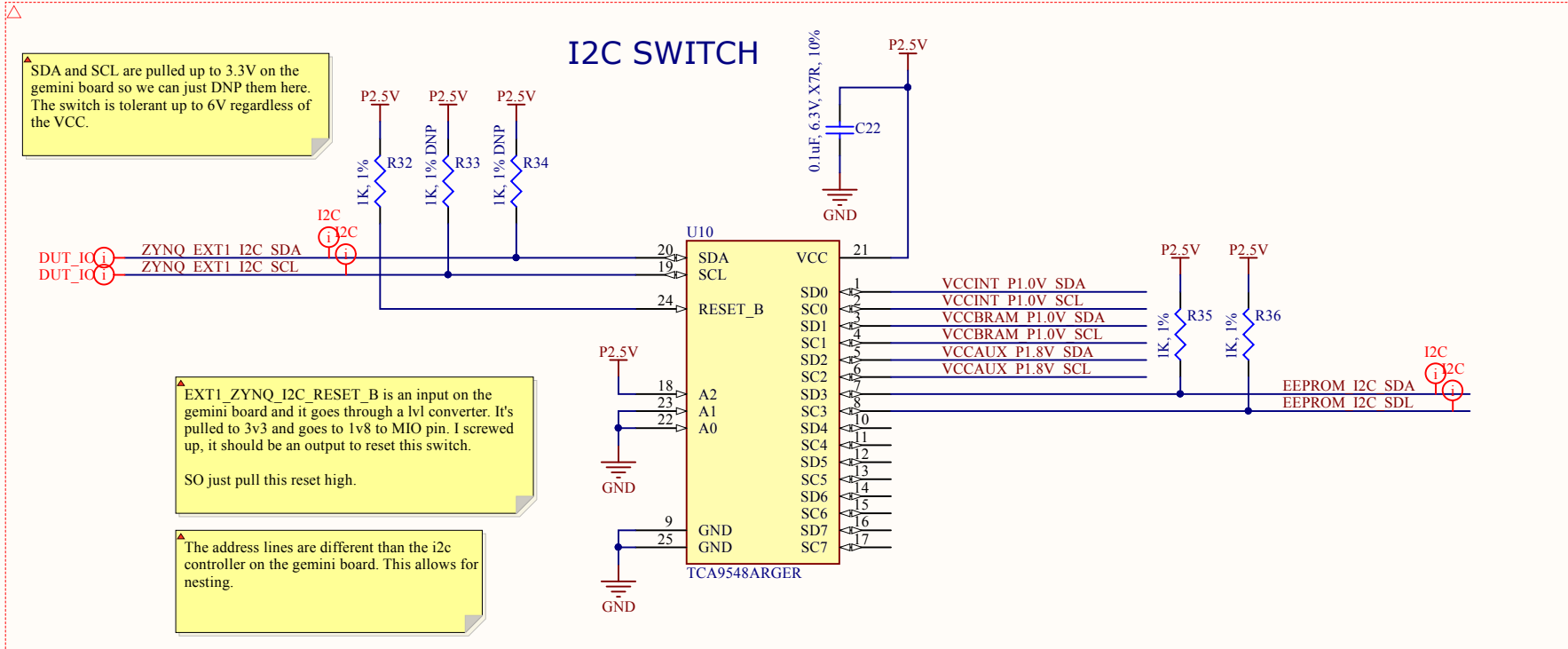
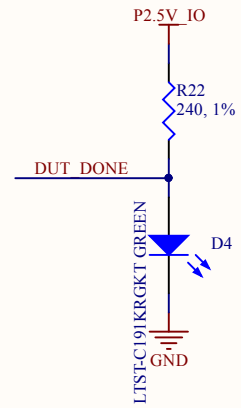
DUT

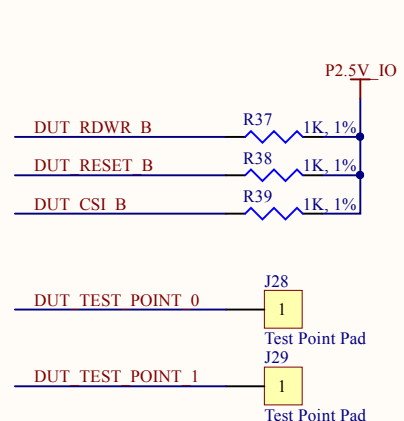
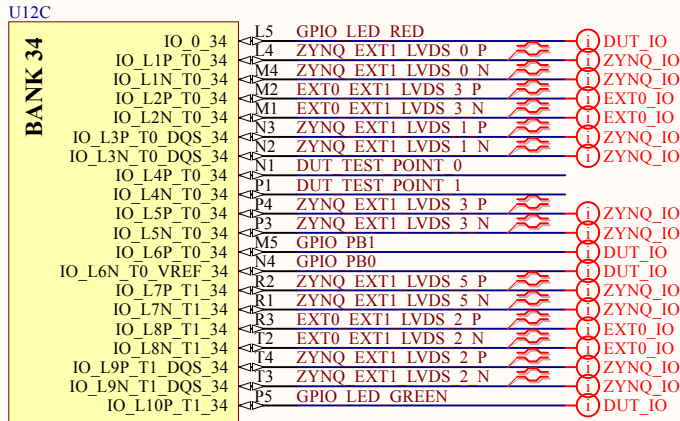


Pull CFGVBS high since VCCO_0 is 2.5V



PC4_TDI -> ARTIX_TDI ->
PC4_TDO -> ARTIX_TDO ->

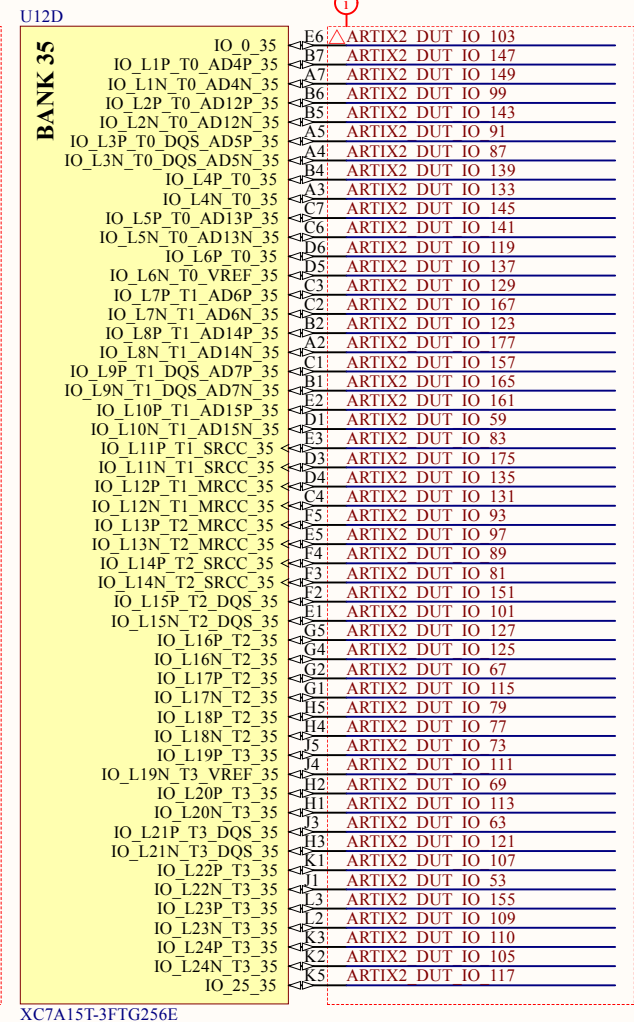
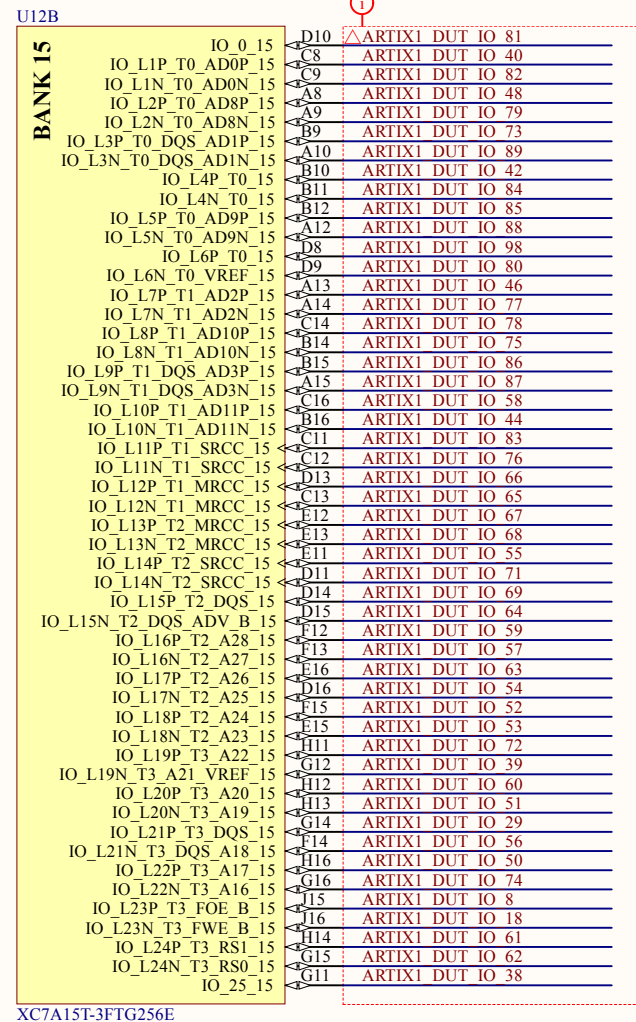
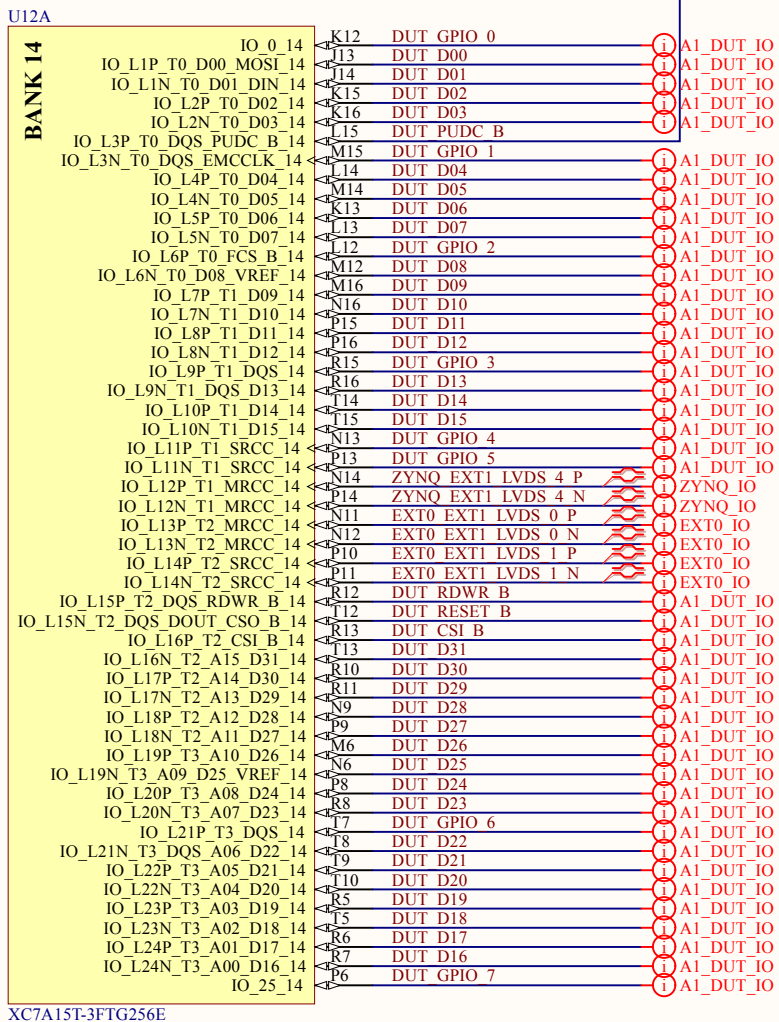
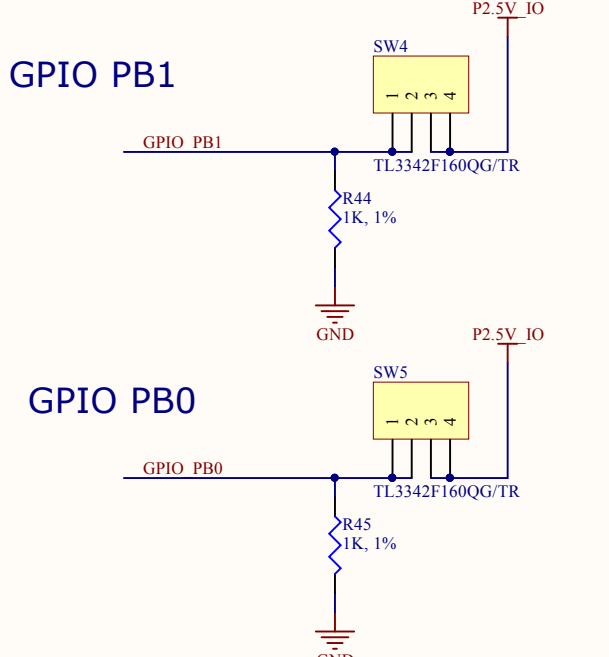
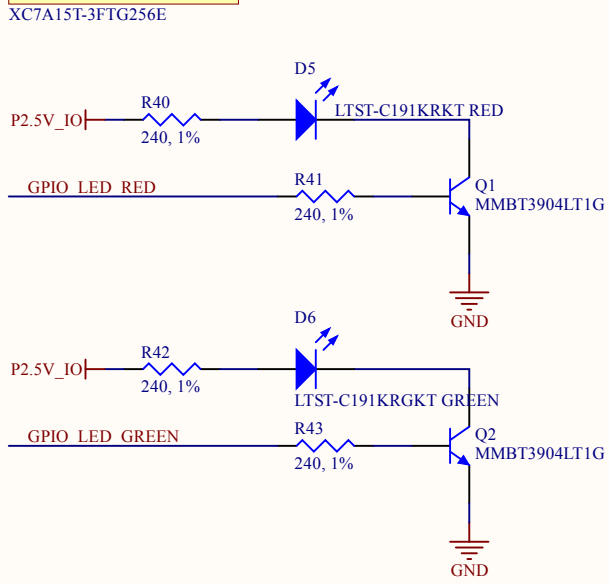




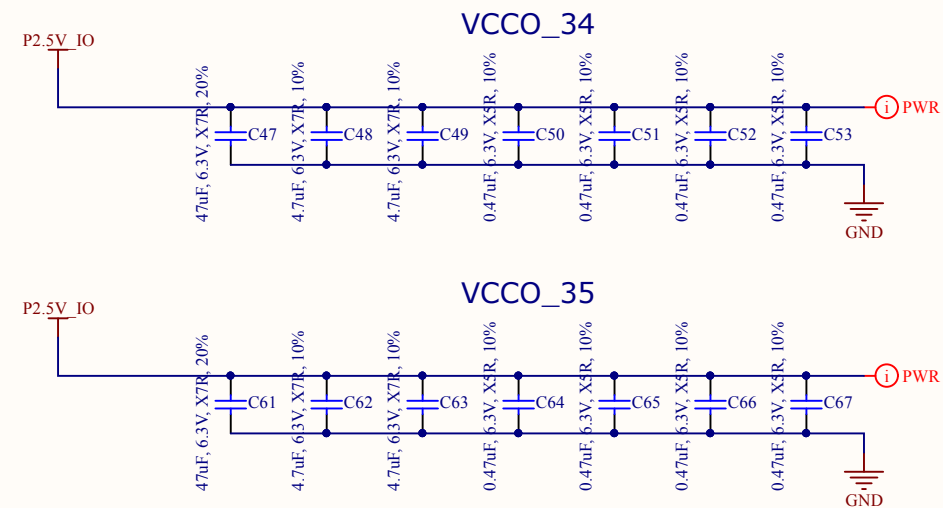
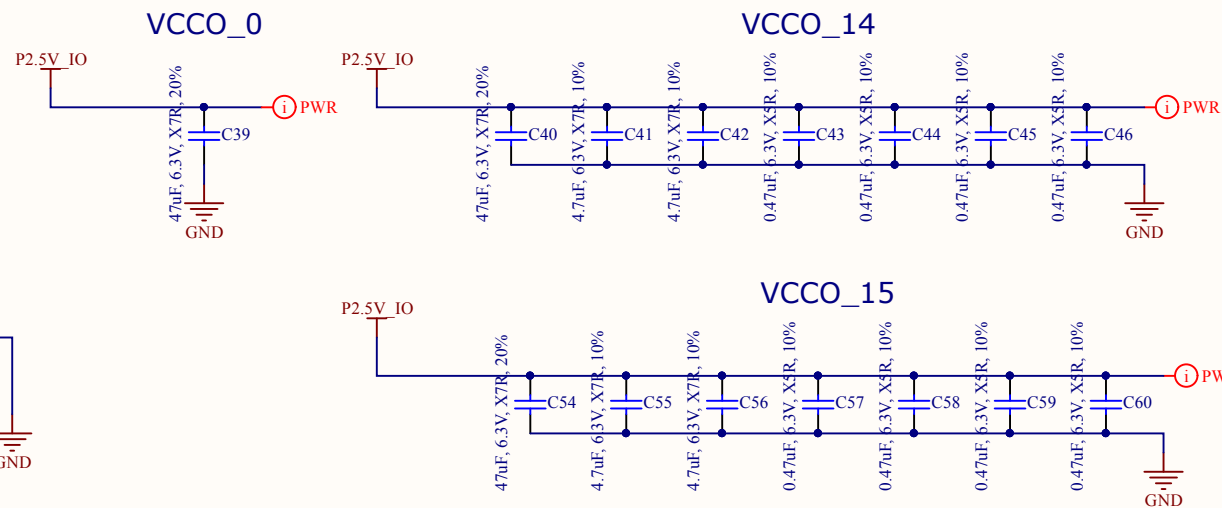
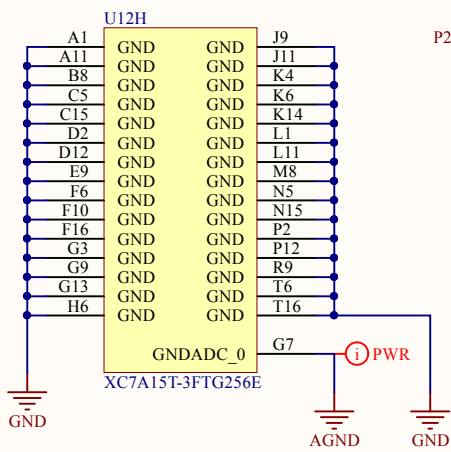
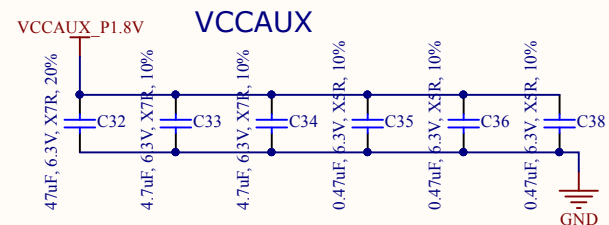
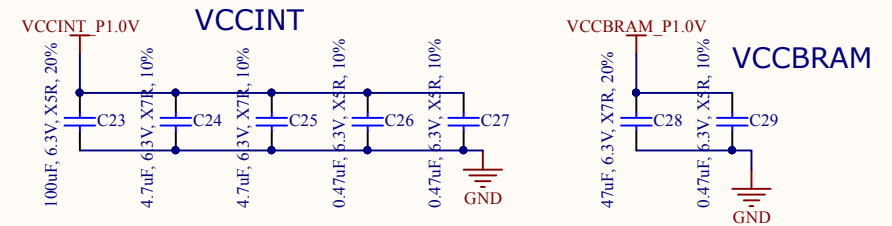
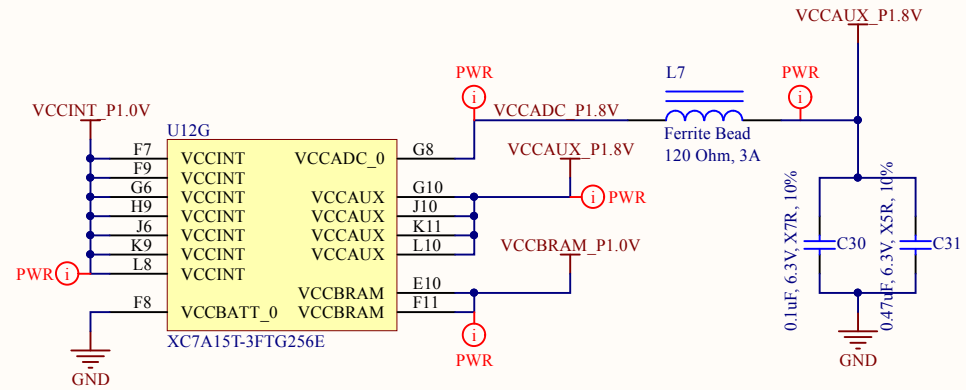
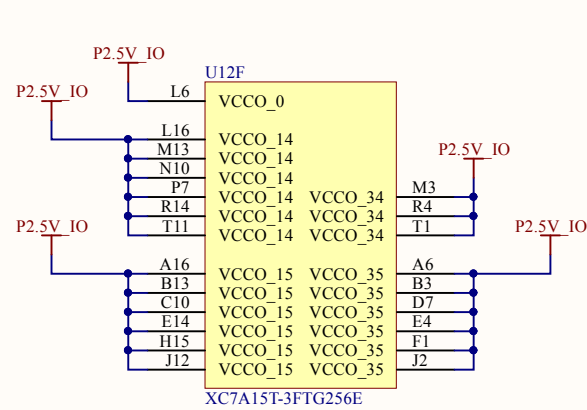
DUT IO

Default:
Pull-high pin 1-2 w/ 1k

When PUDC_B is High, internal pull-up resistors are disabled on each SelectIO pin.

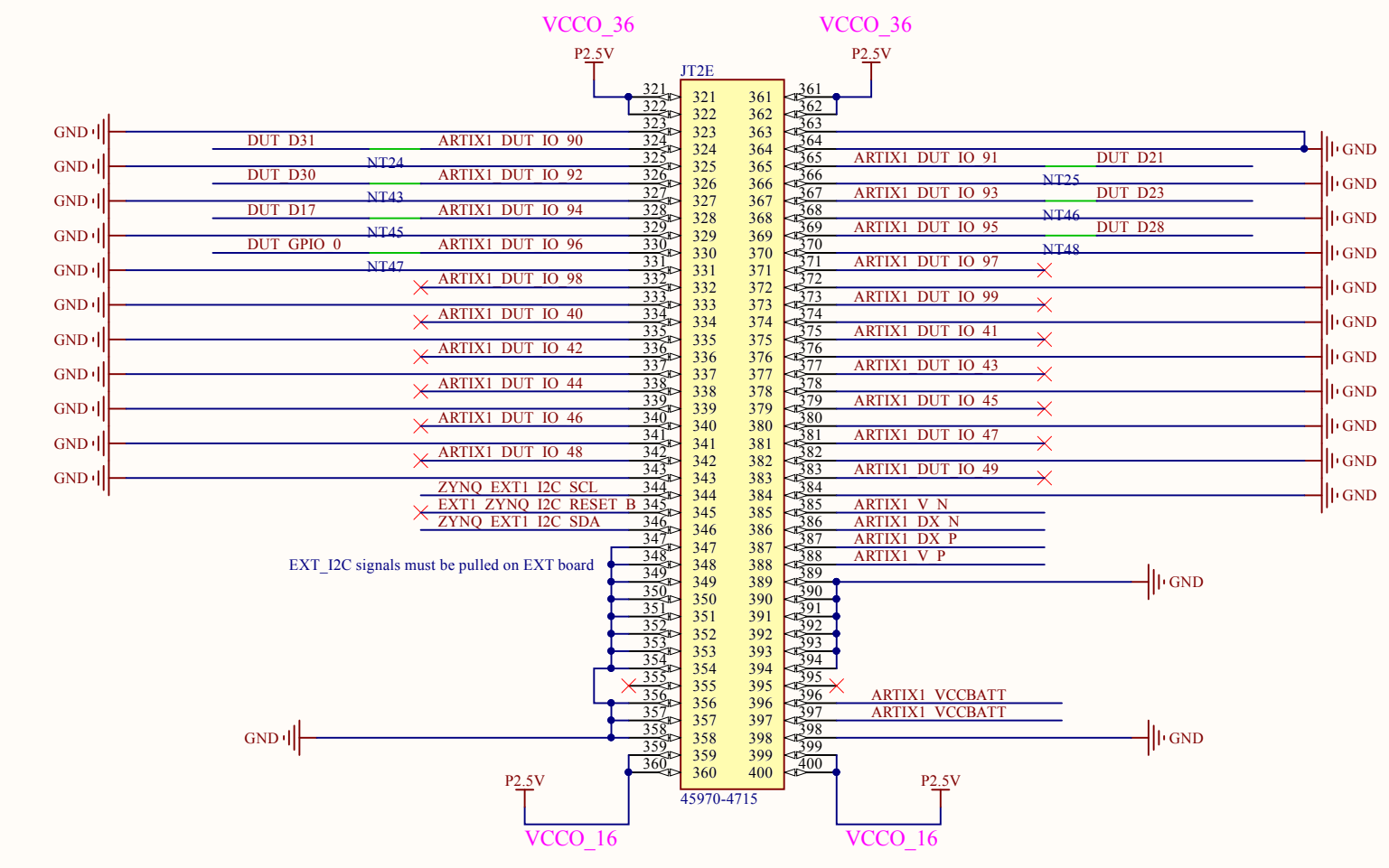
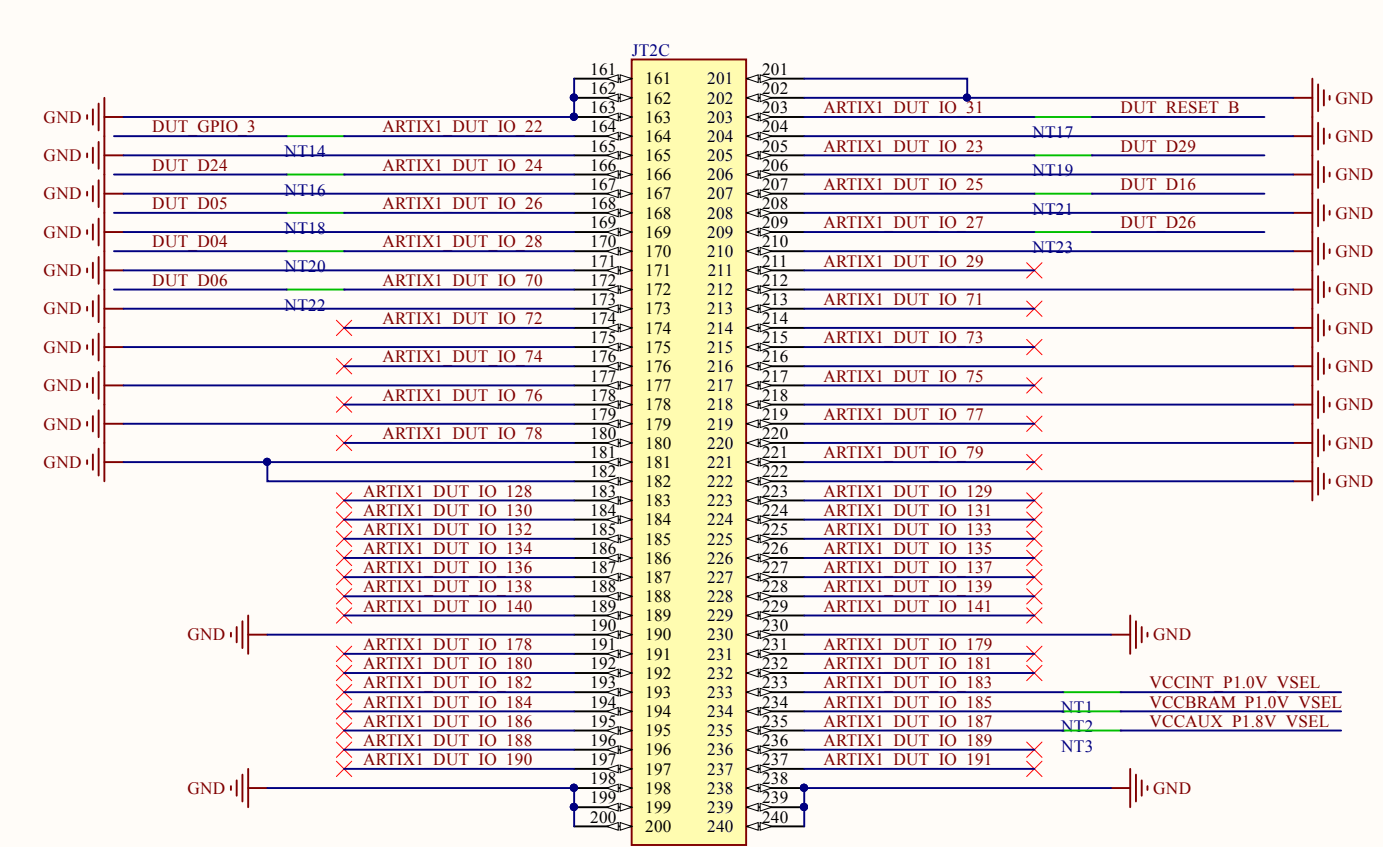
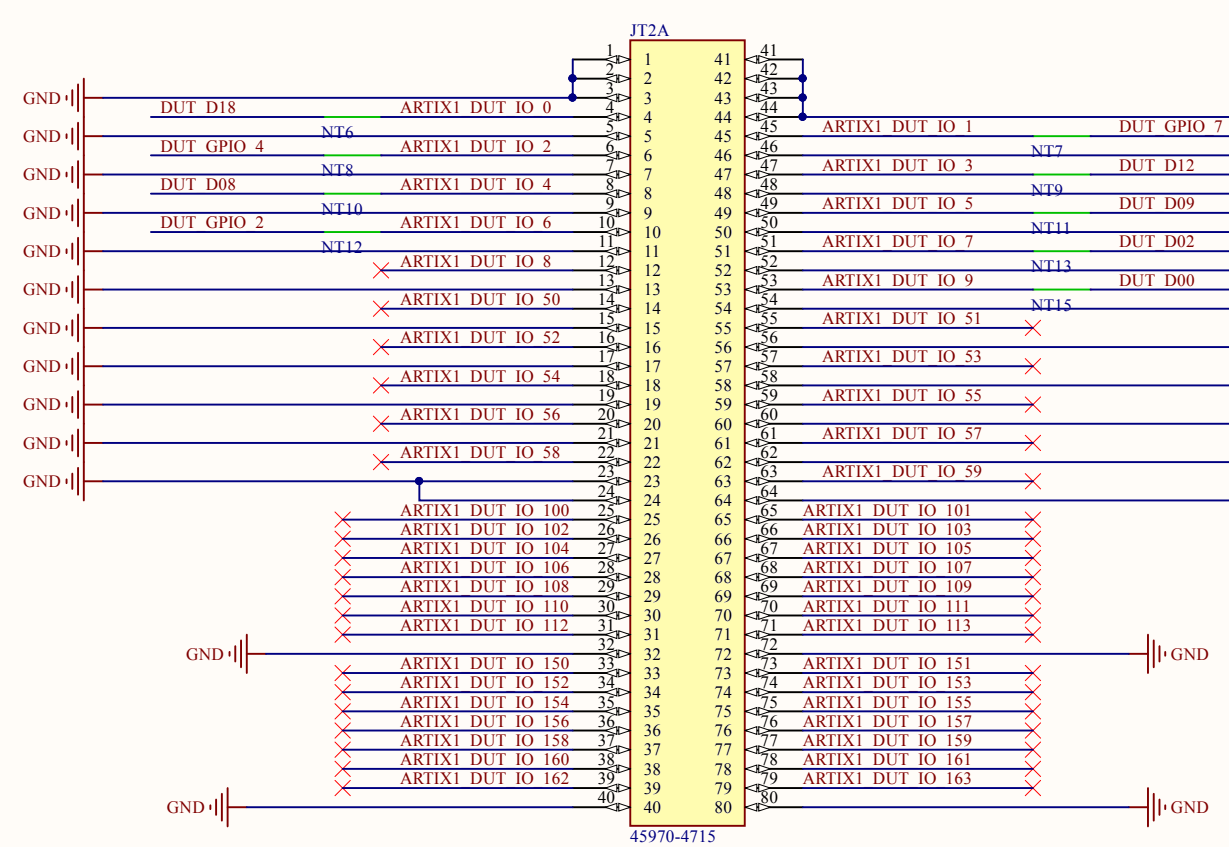


DUT Power

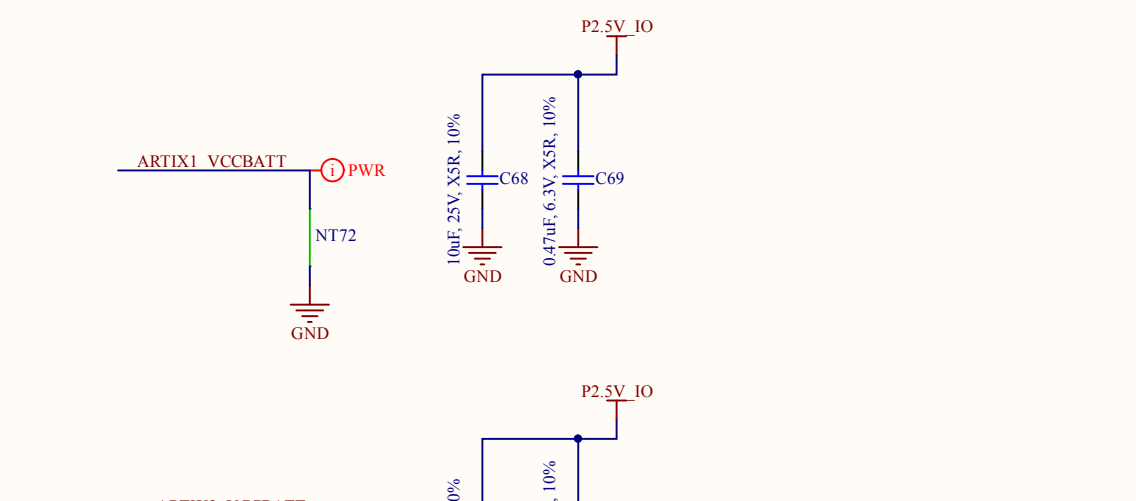
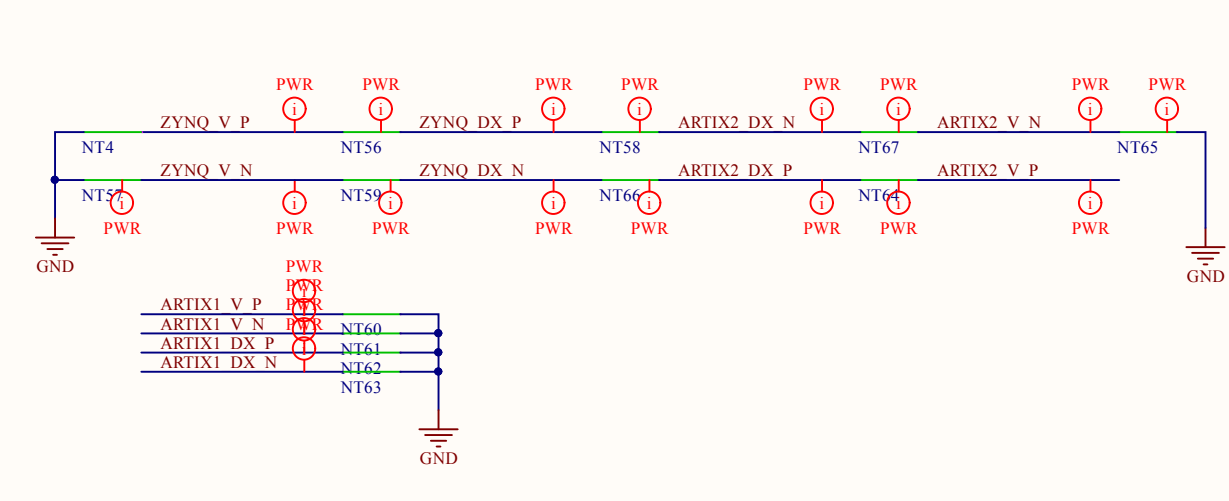
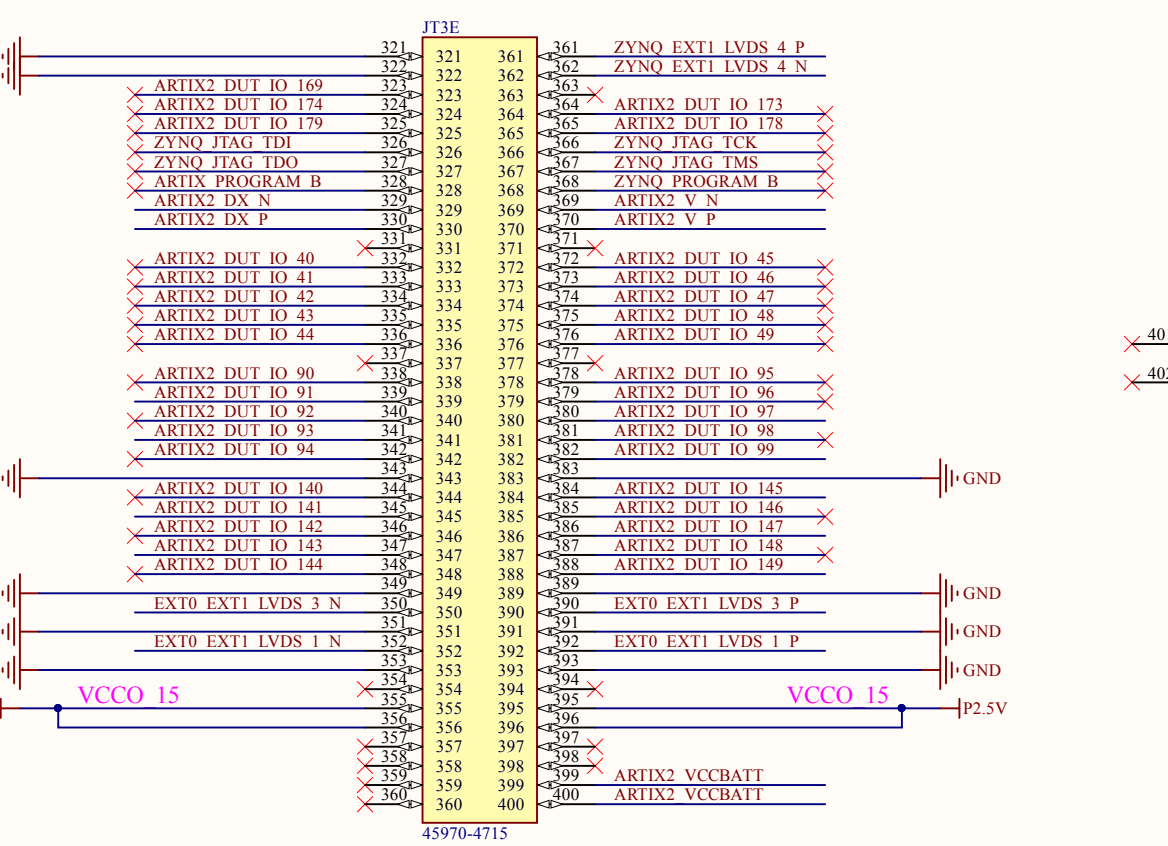
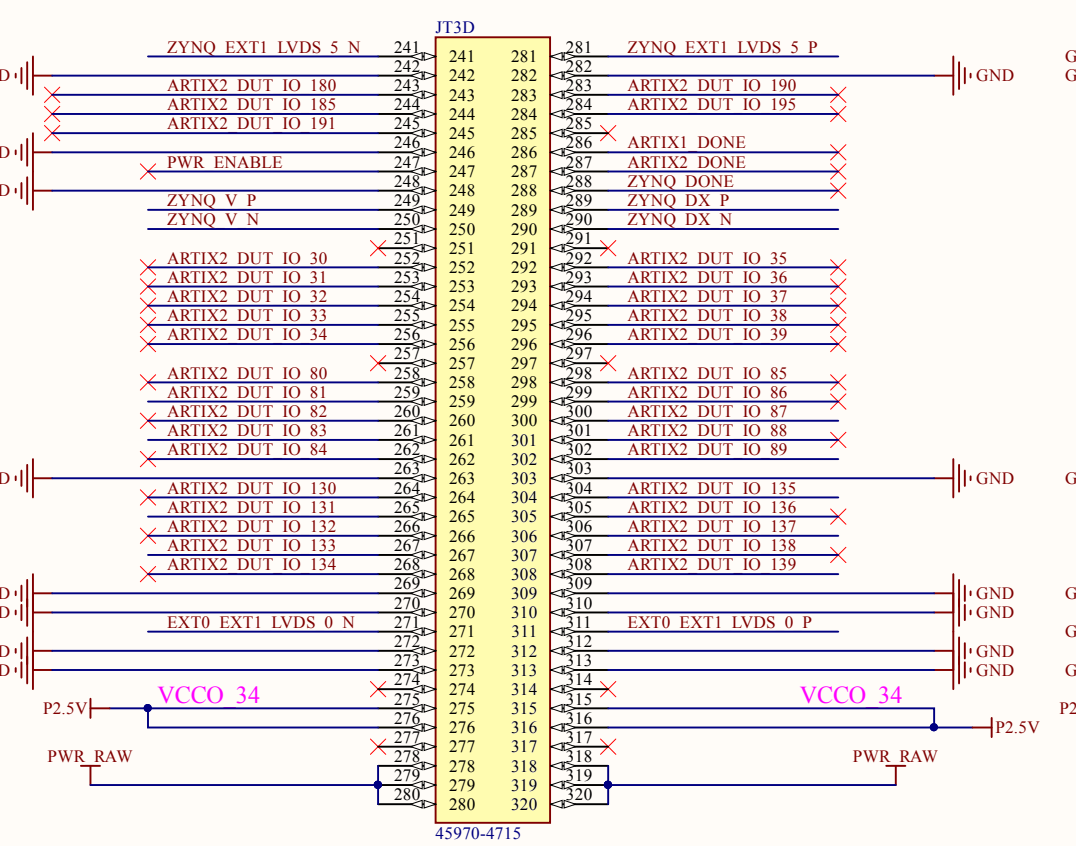
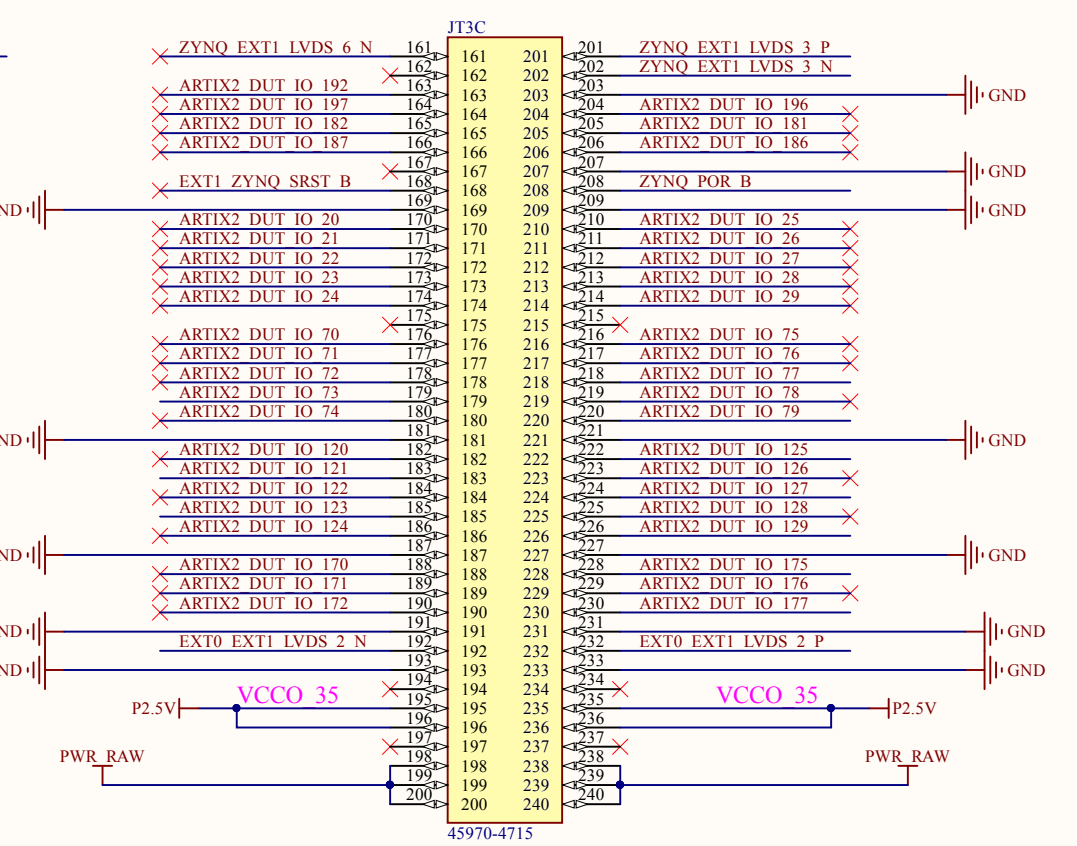
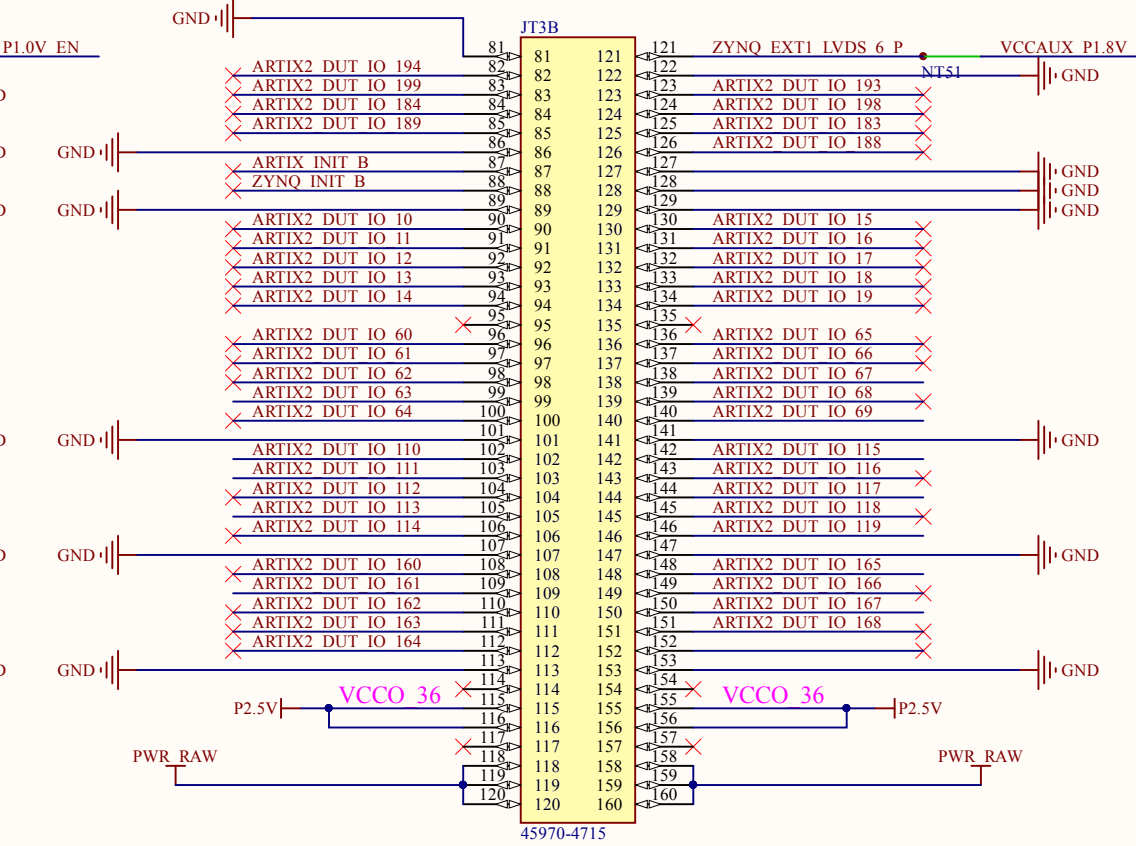
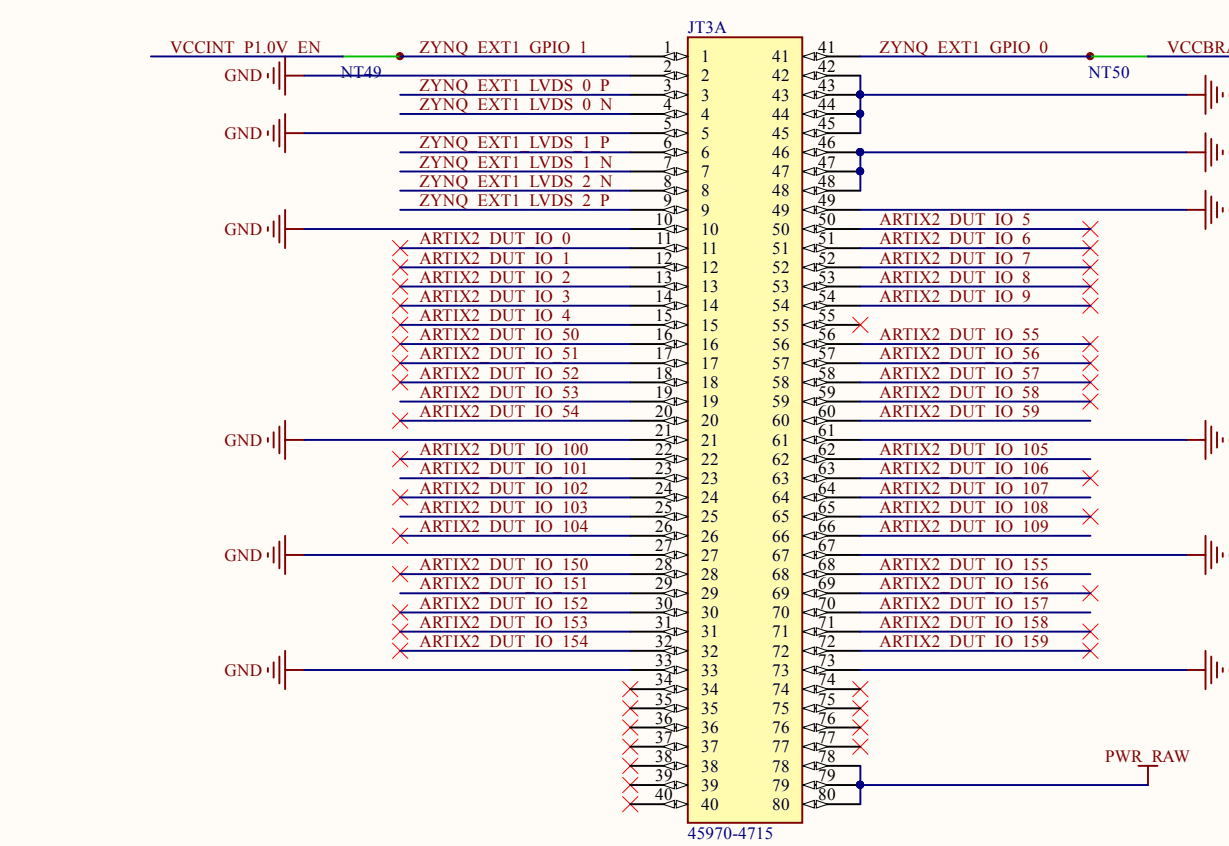
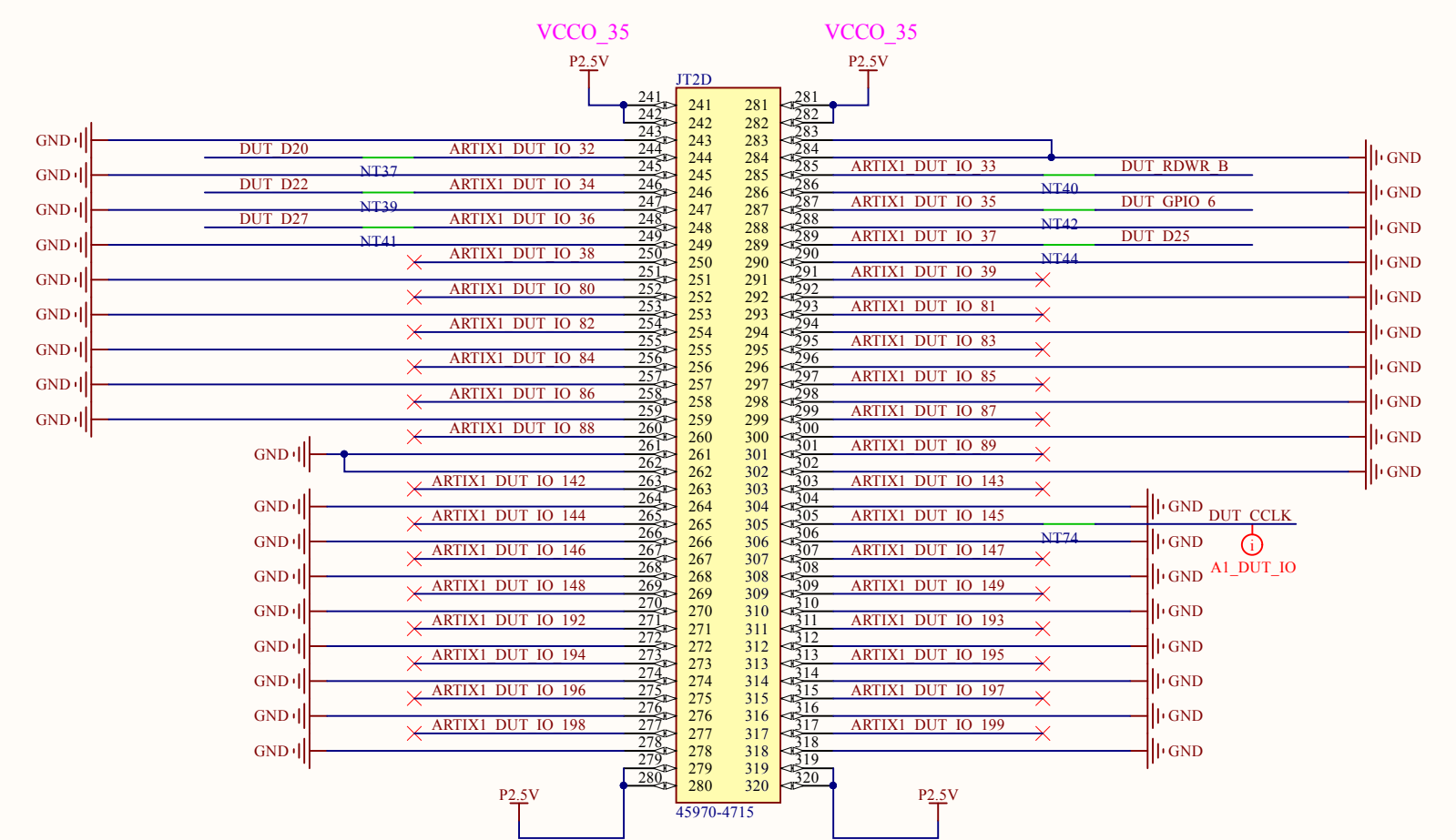
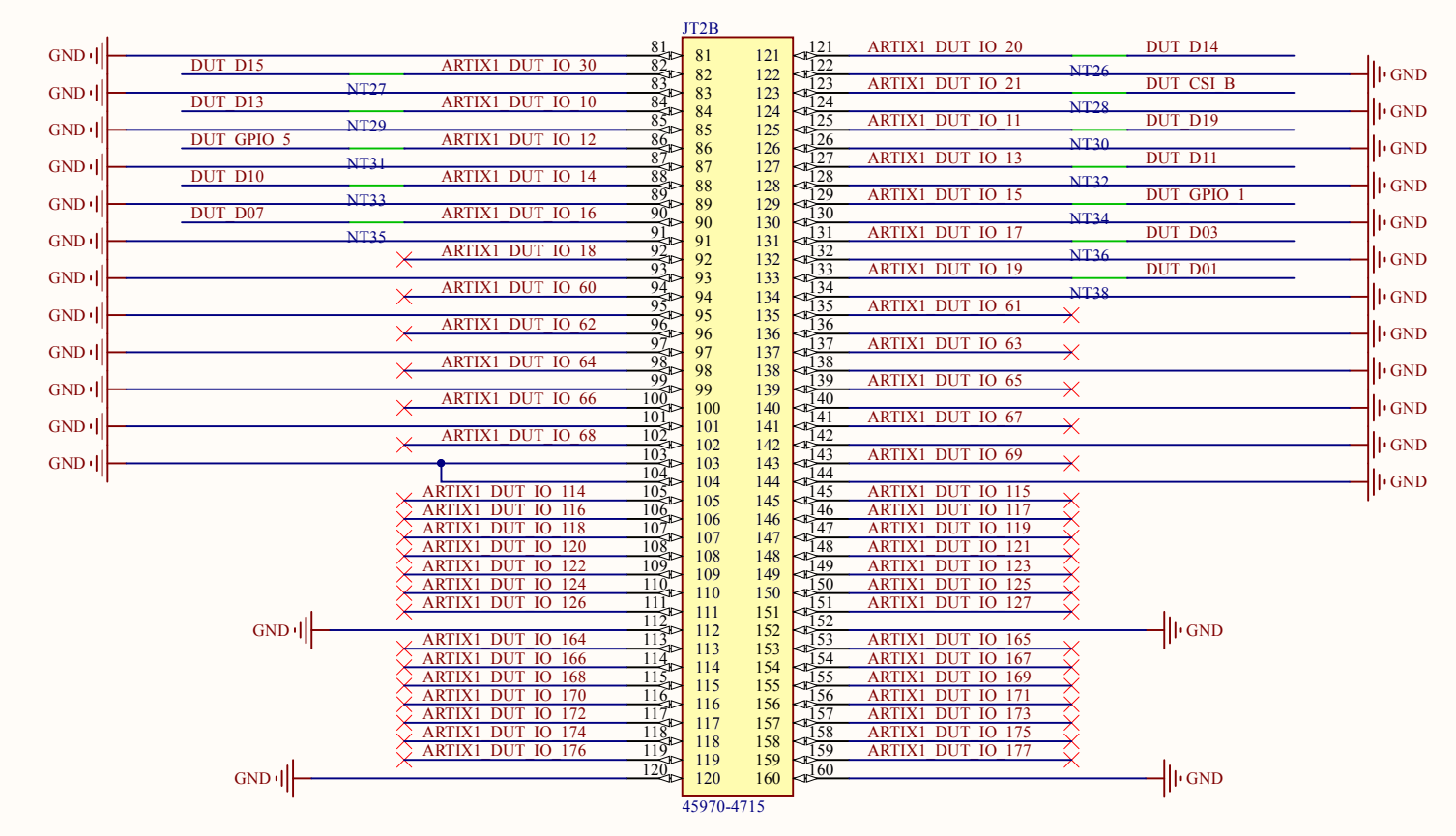


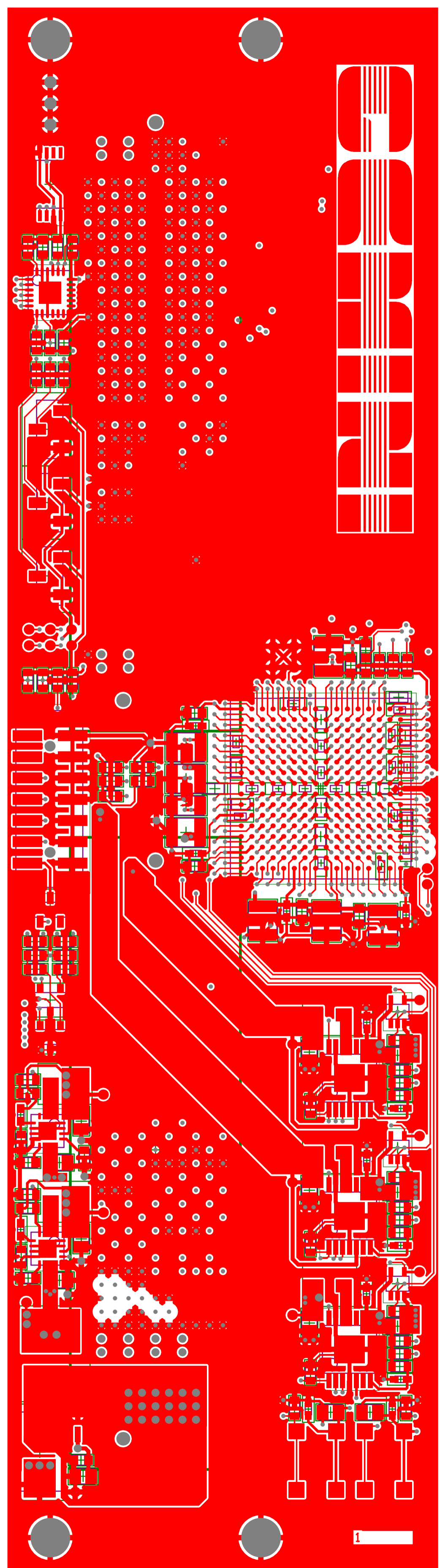
Ferrite Bead placed between AGND and GND for VREF pins





TODO: double check that connector pin numbers match up on female and male





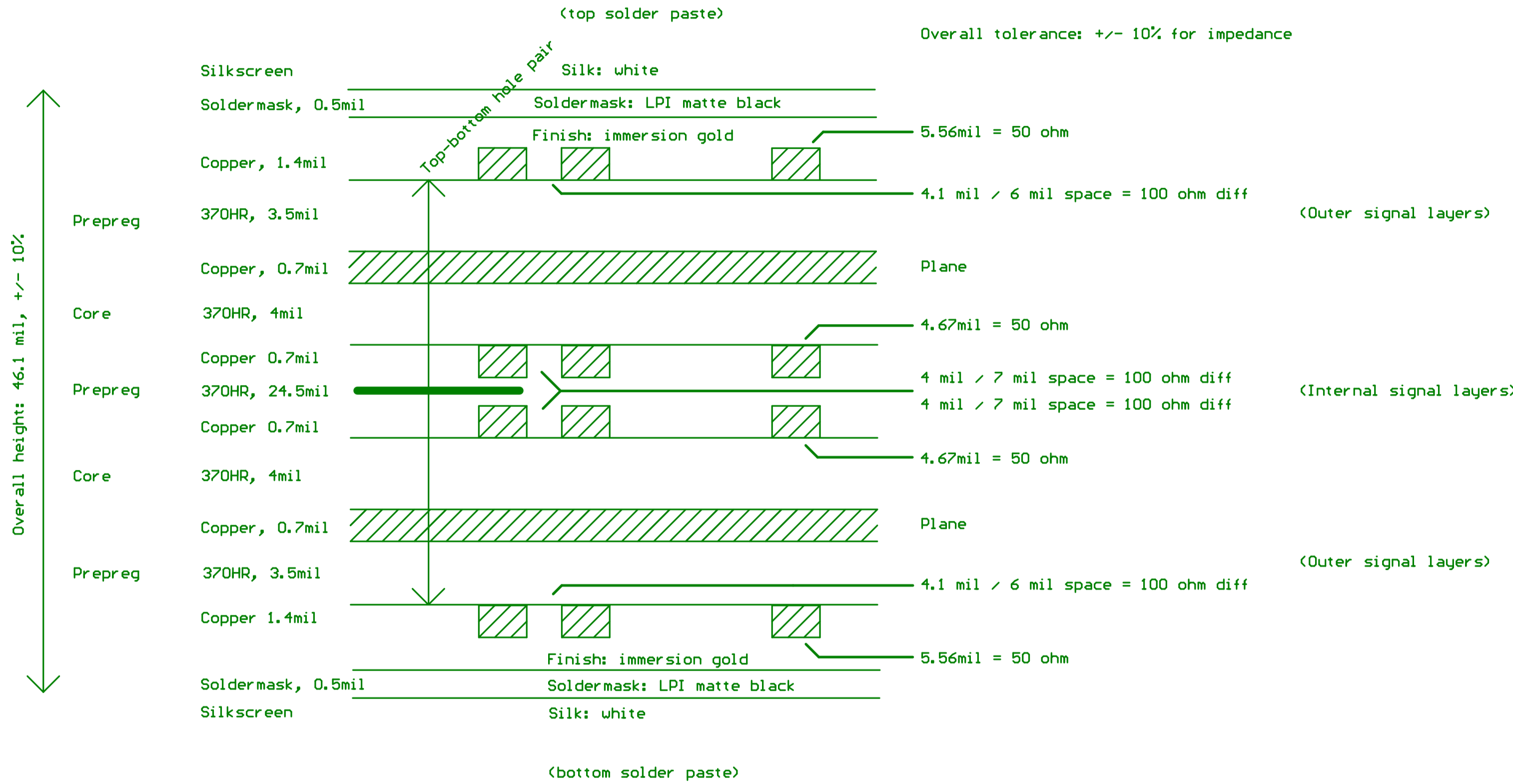
Board name: Gemini DUT Rev 1
 Contact: julian@pixelgenesis.com

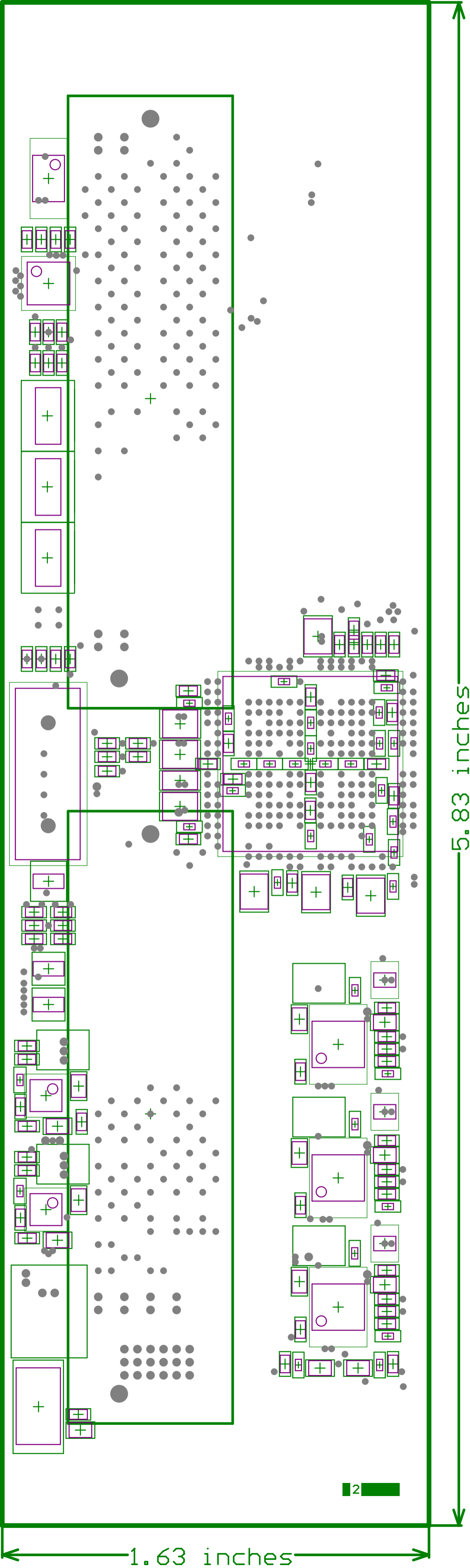
Mech via: 8 mil hole / 16 mil pad smallest
 Route: 4mil width / 4mil clearance smallest

File name extensions: Material and thickness

Trace width and impedance

- .GTP
- .GTO
- .GTS
- .GTL
- .GP1
- .G1
- .G2
- .GP2
- .GBL
- .GBS
- .GBO
- .GBP
- .GKO





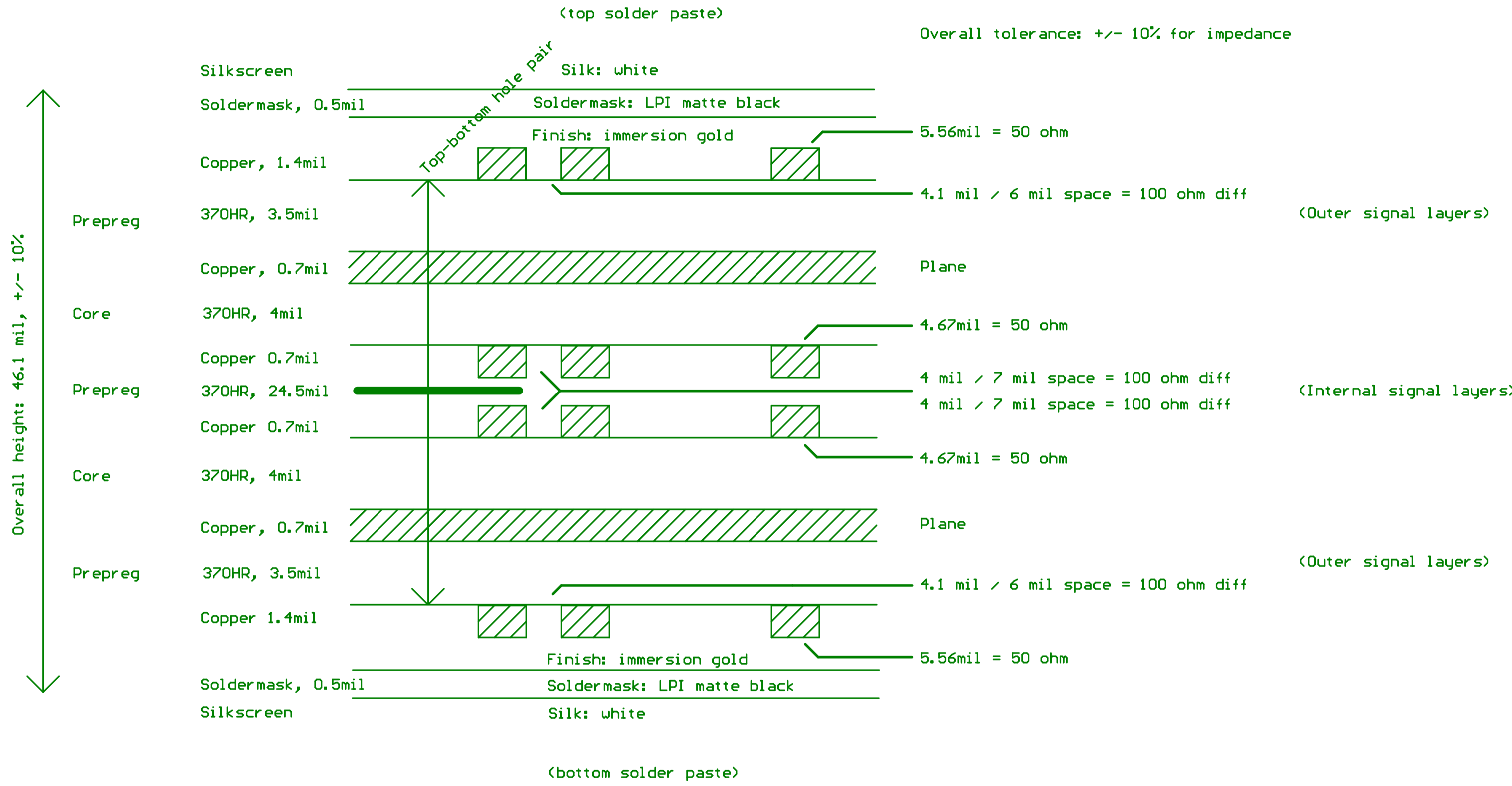
Board name: Gemini DUT Rev 1
 Contact: julian@pixelgenesis.com

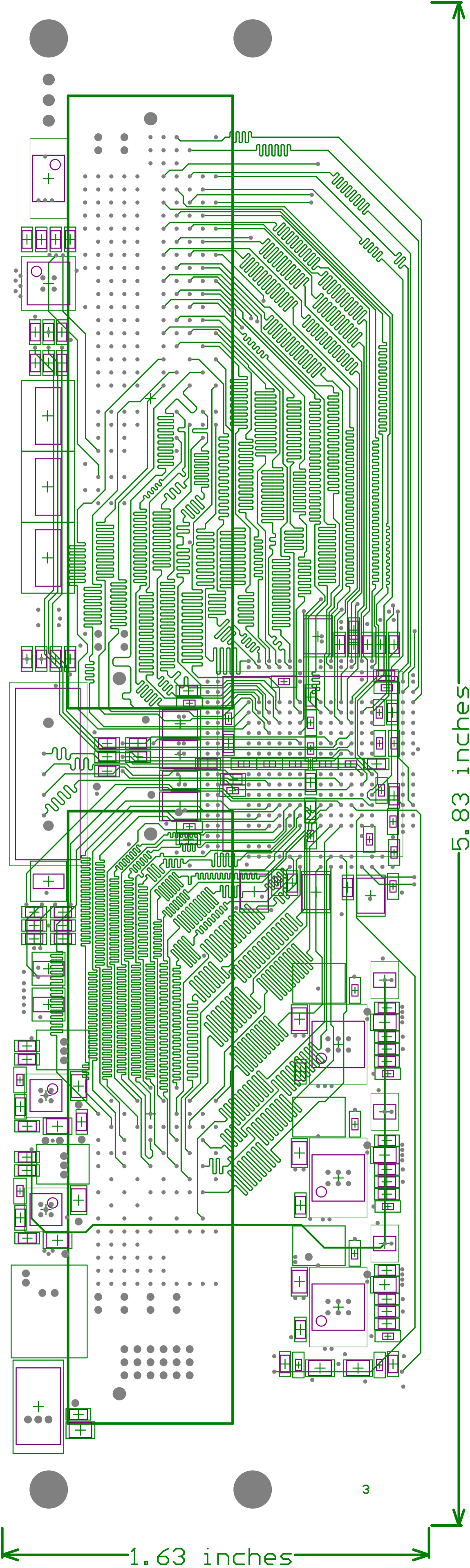
Mech via: 8 mil hole / 16 mil pad smallest
 Route: 4mil width / 4mil clearance smallest

File name extensions: Material and thickness

Trace width and impedance

- .GTP
- .GTO
- .GTS
- .GTL
- .GP1
- .G1
- .G2
- .GP2
- .GBL
- .GBS
- .GBO
- .GBP
- .GKO



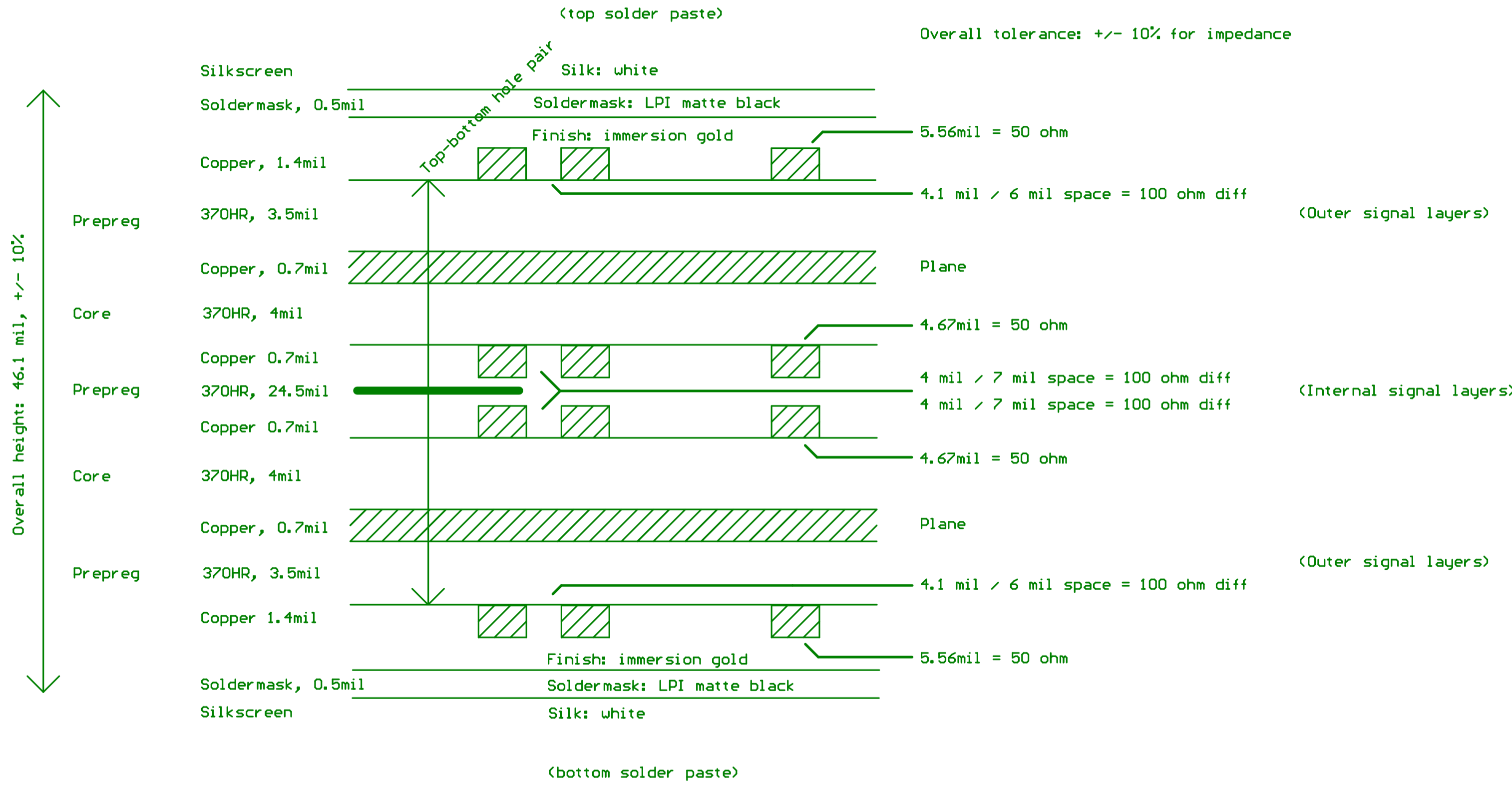


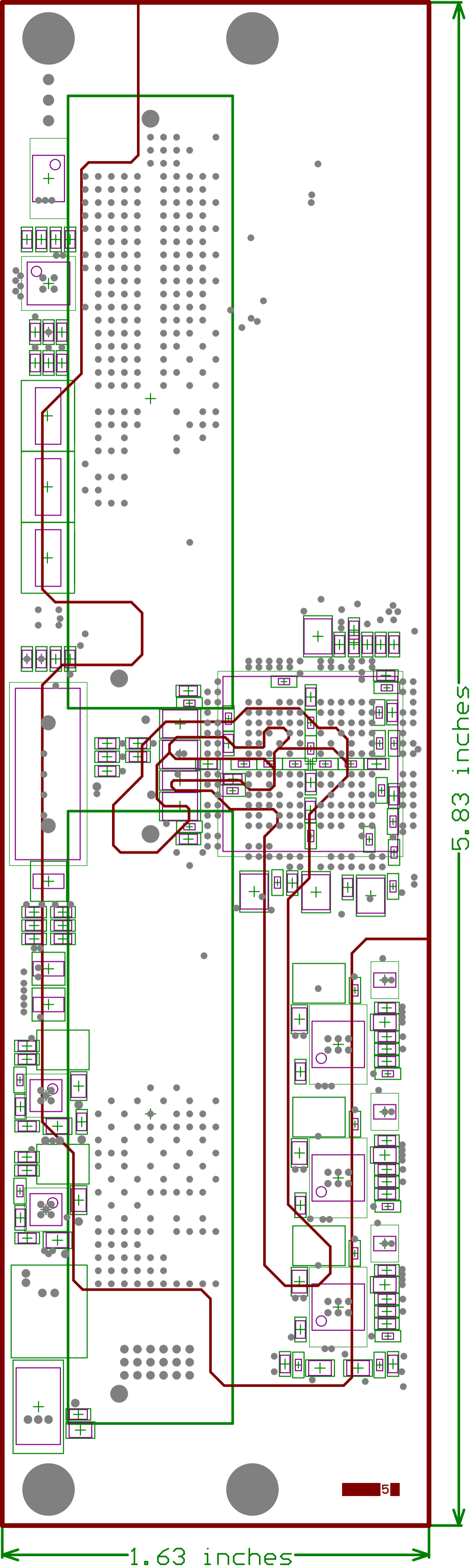
Board name: Gemini DUT Rev 1
 Contact: julian@pixelgenesis.com

Mech via: 8 mil hole / 16 mil pad smallest
 Route: 4mil width / 4mil clearance smallest

File name extensions: Material and thickness Trace width and impedance

- .GTP
- .GTO
- .GTS
- .GTL
- .GP1
- .G1
- .G2
- .GP2
- .GBL
- .GBS
- .GBO
- .GBP
- .GKO





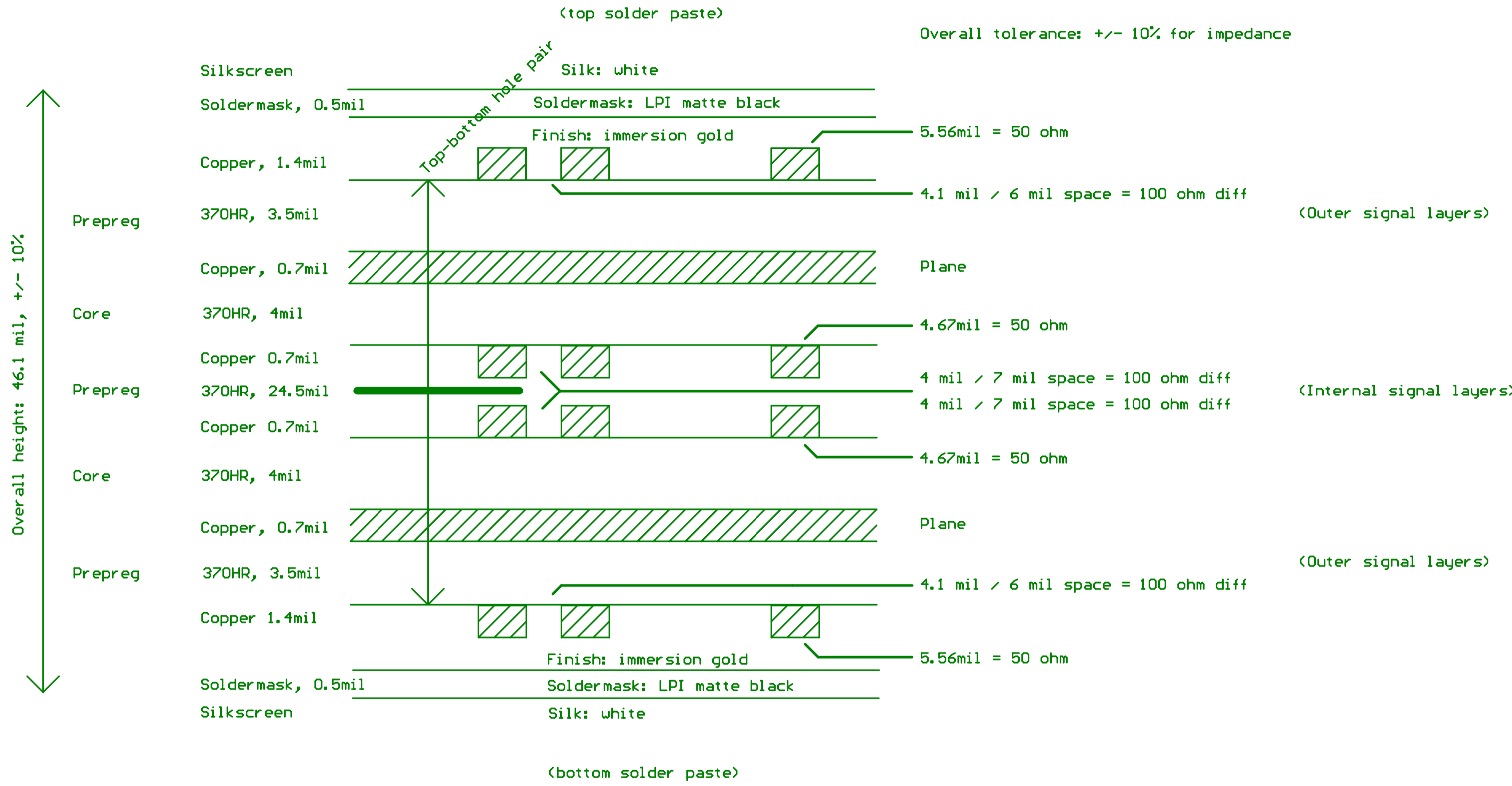
Board name: Gemini DUT Rev 1
 Contact: julian@pixelgenesis.com

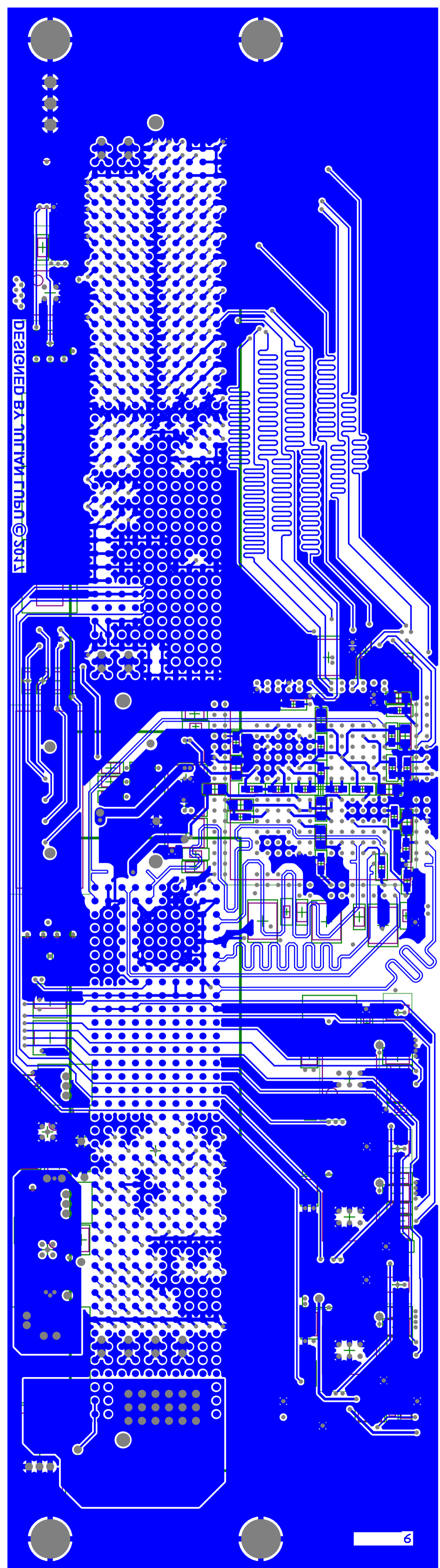
Mech via: 8 mil hole / 16 mil pad smallest
 Route: 4mil width / 4mil clearance smallest

File name extensions: Material and thickness

Trace width and impedance

- .GTP
- .GTO
- .GTS
- .GTL
- .GP1
- .G1
- .G2
- .GP2
- .GBL
- .GBS
- .GBO
- .GBP
- .GKO





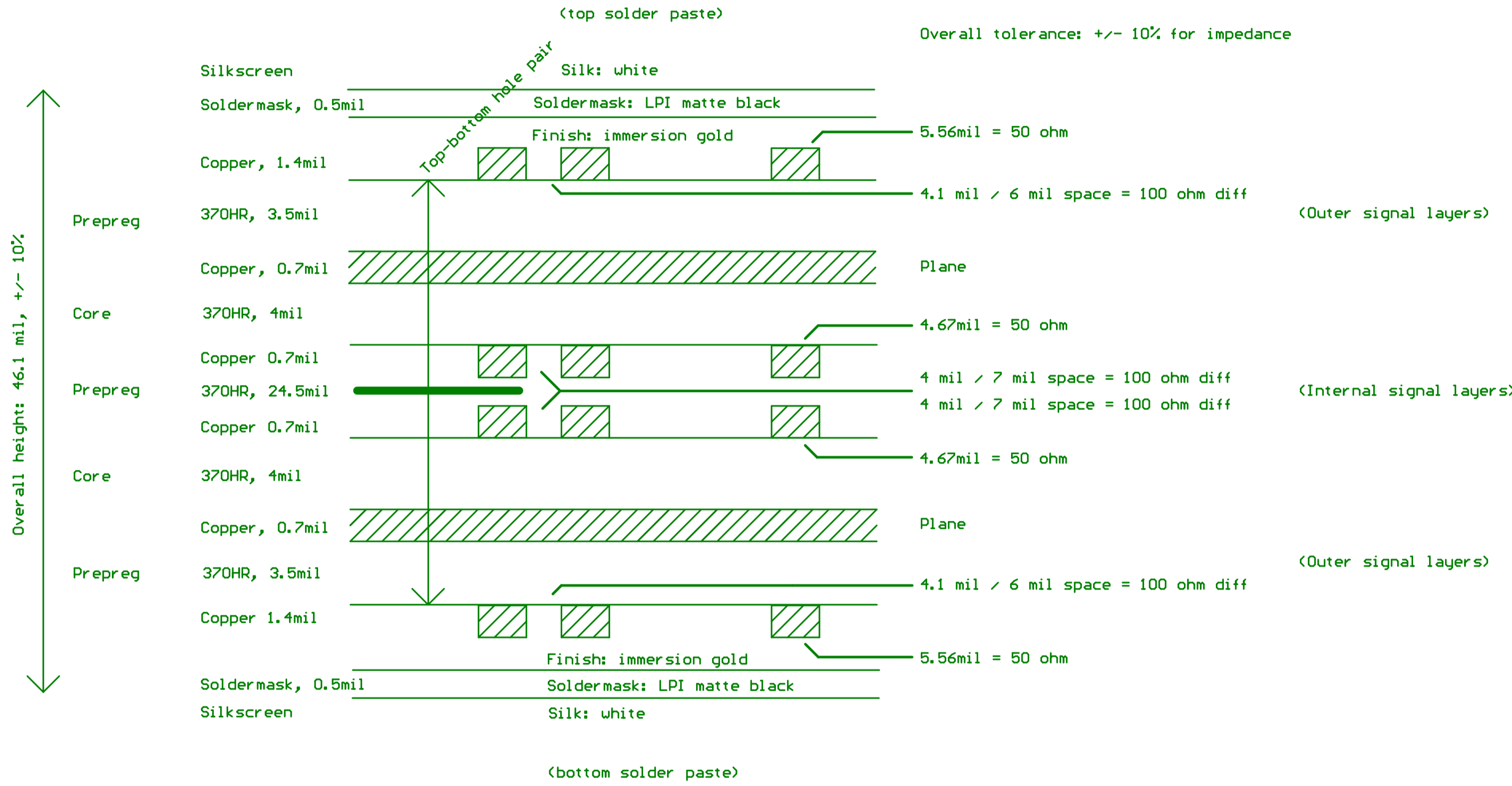
Board name: Gemini DUT Rev 1
 Contact: julian@pixelgenesis.com

Mech via: 8 mil hole / 16 mil pad smallest
 Route: 4mil width / 4mil clearance smallest

File name extensions: Material and thickness

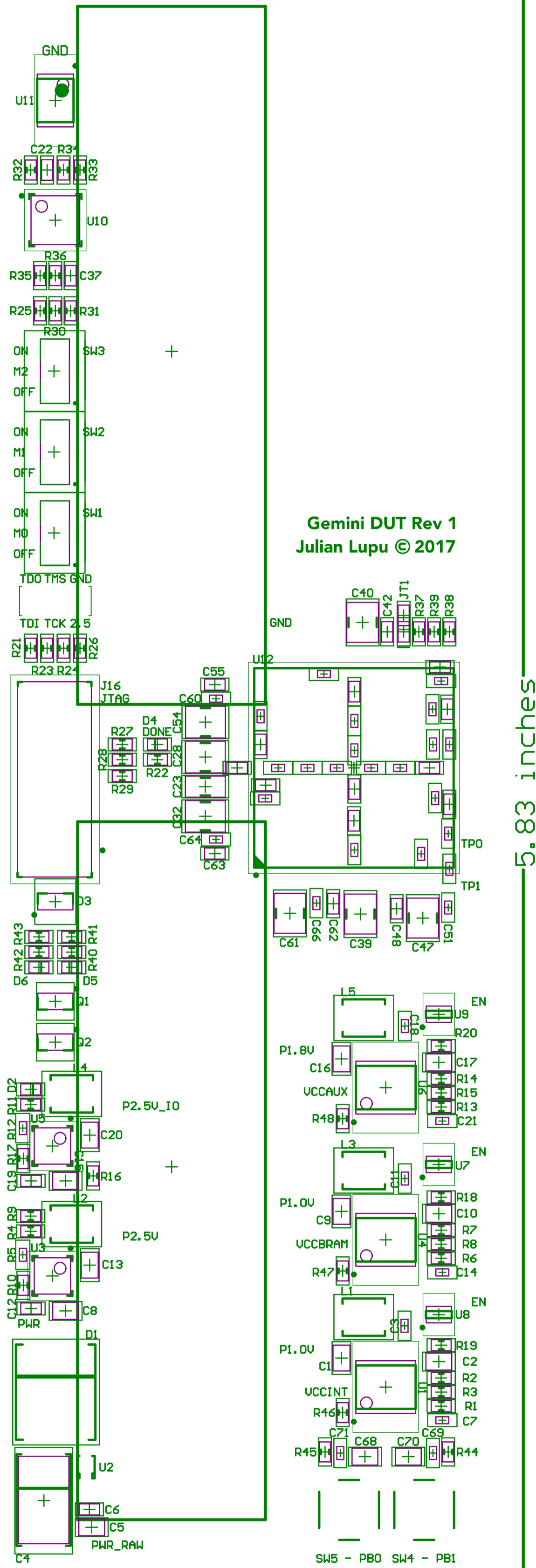
Trace width and impedance

- .GTP
- .GTO
- .GTS
- .GTL
- .GP1
- .G1
- .G2
- .GP2
- .GBL
- .GBS
- .GB0
- .GBP
- .GKO



1.63 inches

5.83 inches



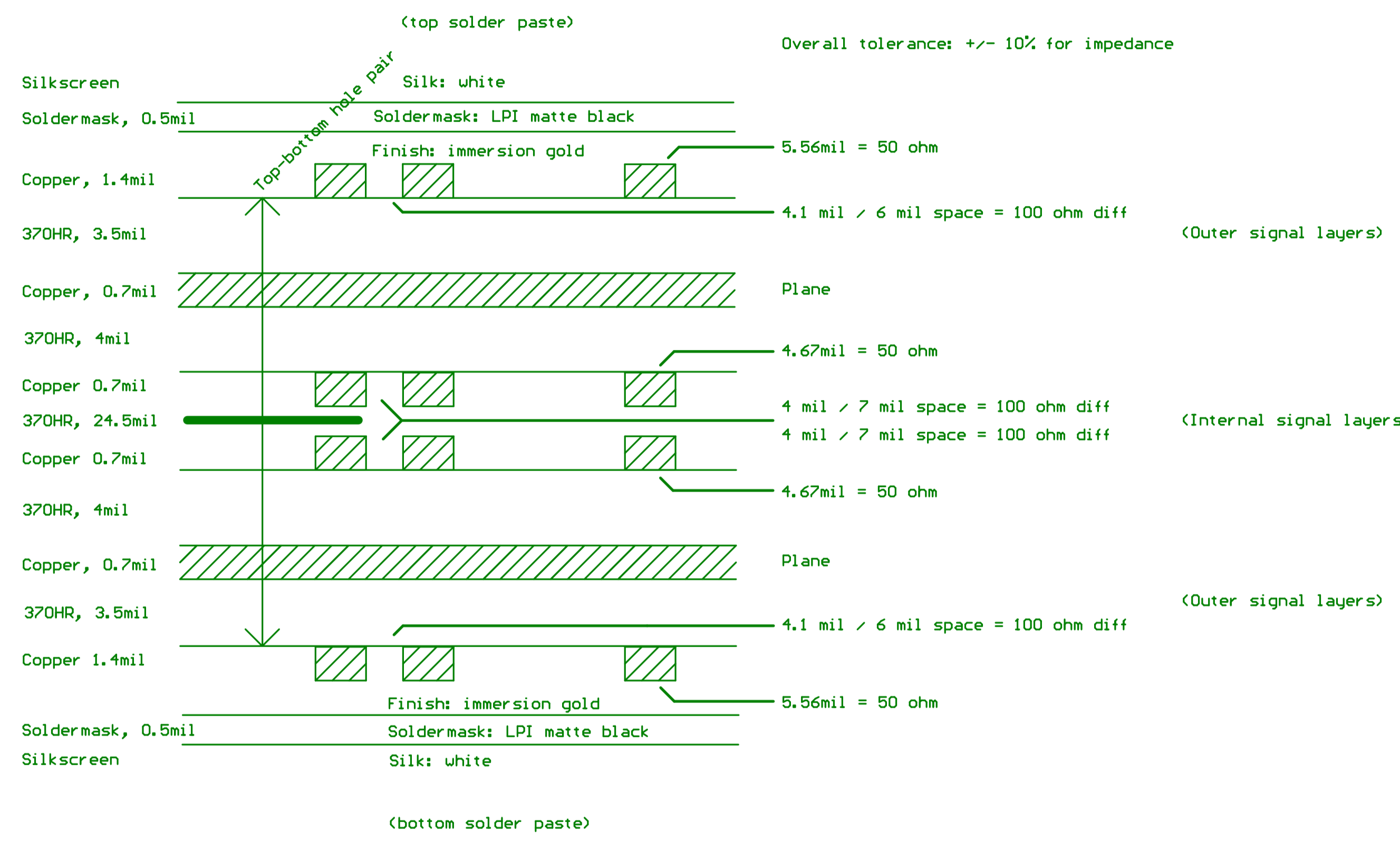
Board name: Gemini DUT Rev 1
 Contact: julian@pixelgenesis.com

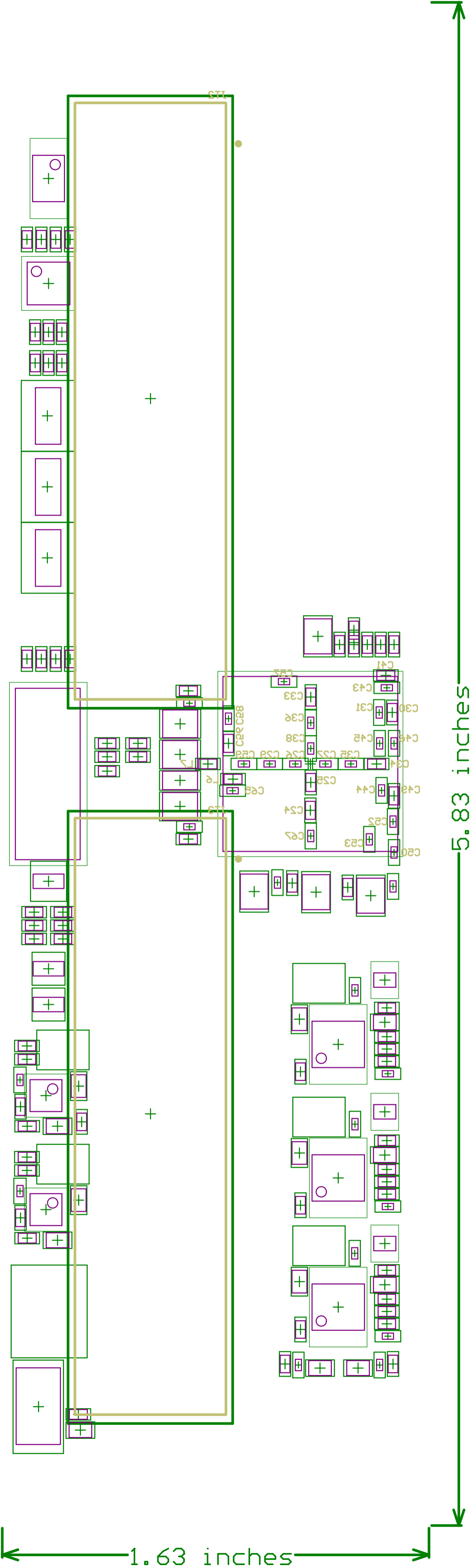
Mech via: 8 mil hole / 16 mil pad smallest
 Route: 4mil width / 4mil clearance smallest

File name extensions: Material and thickness Trace width and impedance

- .GTP
- .GTO
- .GTS
- .GTL
- .GP1
- .G1
- .G2
- .GP2
- .GBL
- .GBS
- .GBO
- .GBP
- .GKO

Overall height: 46.1 mil, +/- 10%





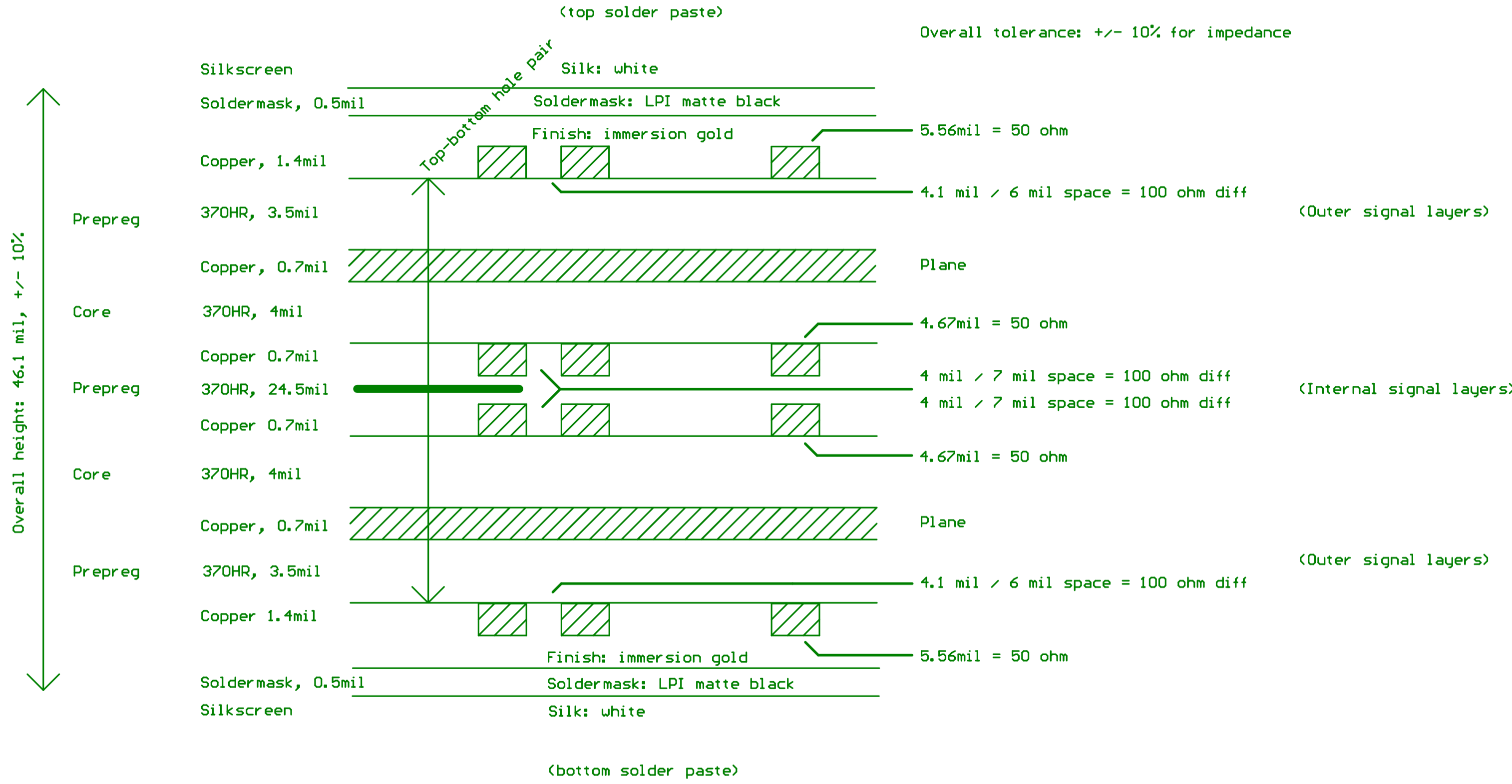
Board name: Gemini DUT Rev 1
 Contact: julian@pixelgenesis.com

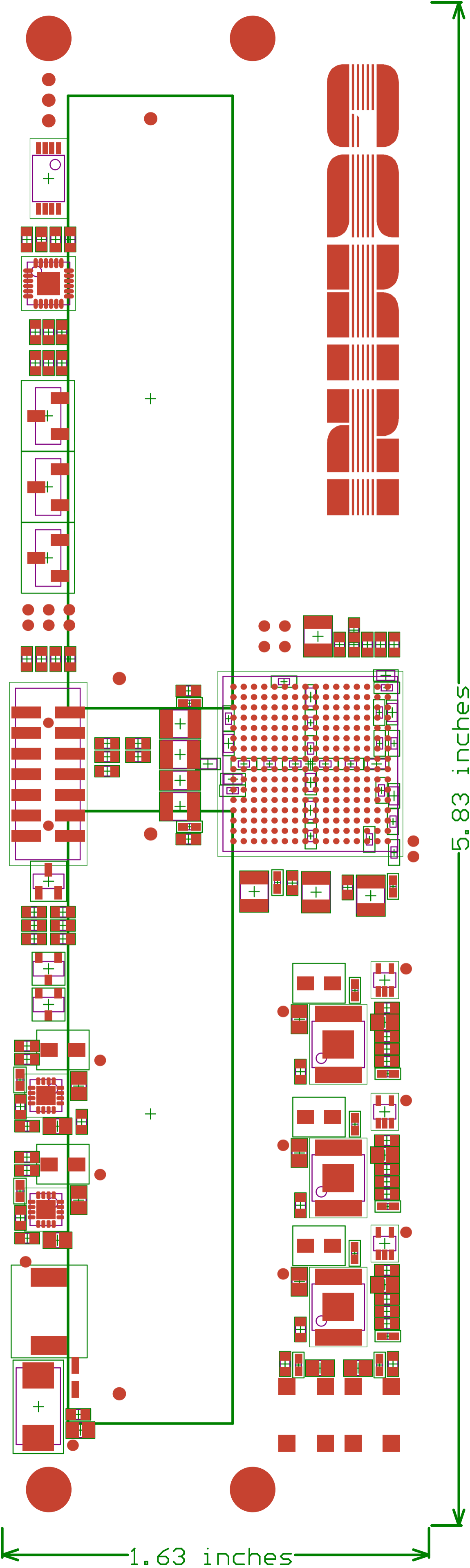
Mech via: 8 mil hole / 16 mil pad smallest
 Route: 4mil width / 4mil clearance smallest

File name extensions: Material and thickness

Trace width and impedance

- .GTP
- .GTO
- .GTS
- .GTL
- .GP1
- .G1
- .G2
- .GP2
- .GBL
- .GBS
- .GBO
- .GBP
- .GKO





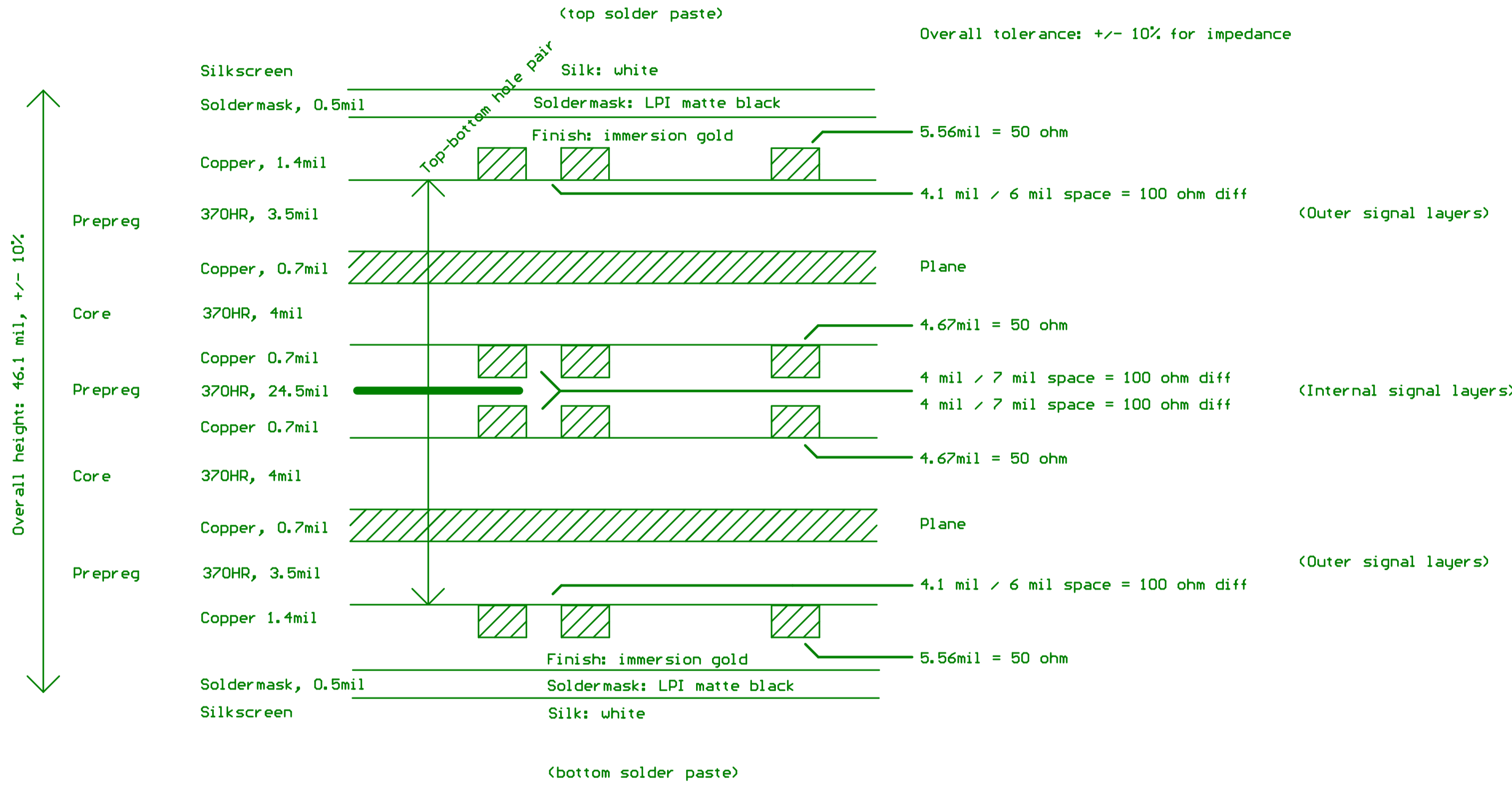
Board name: Gemini DUT Rev 1
 Contact: julian@pixelgenesis.com

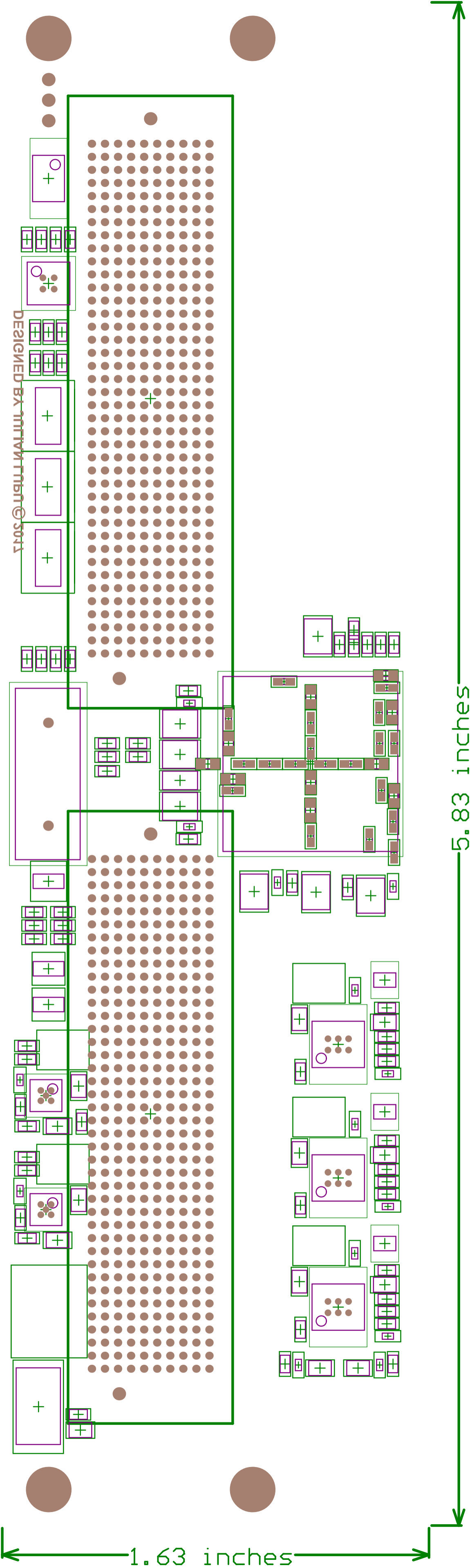
Mech via: 8 mil hole / 16 mil pad smallest
 Route: 4mil width / 4mil clearance smallest

File name extensions: Material and thickness

Trace width and impedance

- .GTP
- .GTO
- .GTS
- .GTL
- .GP1
- .G1
- .G2
- .GP2
- .GBL
- .GBS
- .GBO
- .GBP
- .GKO





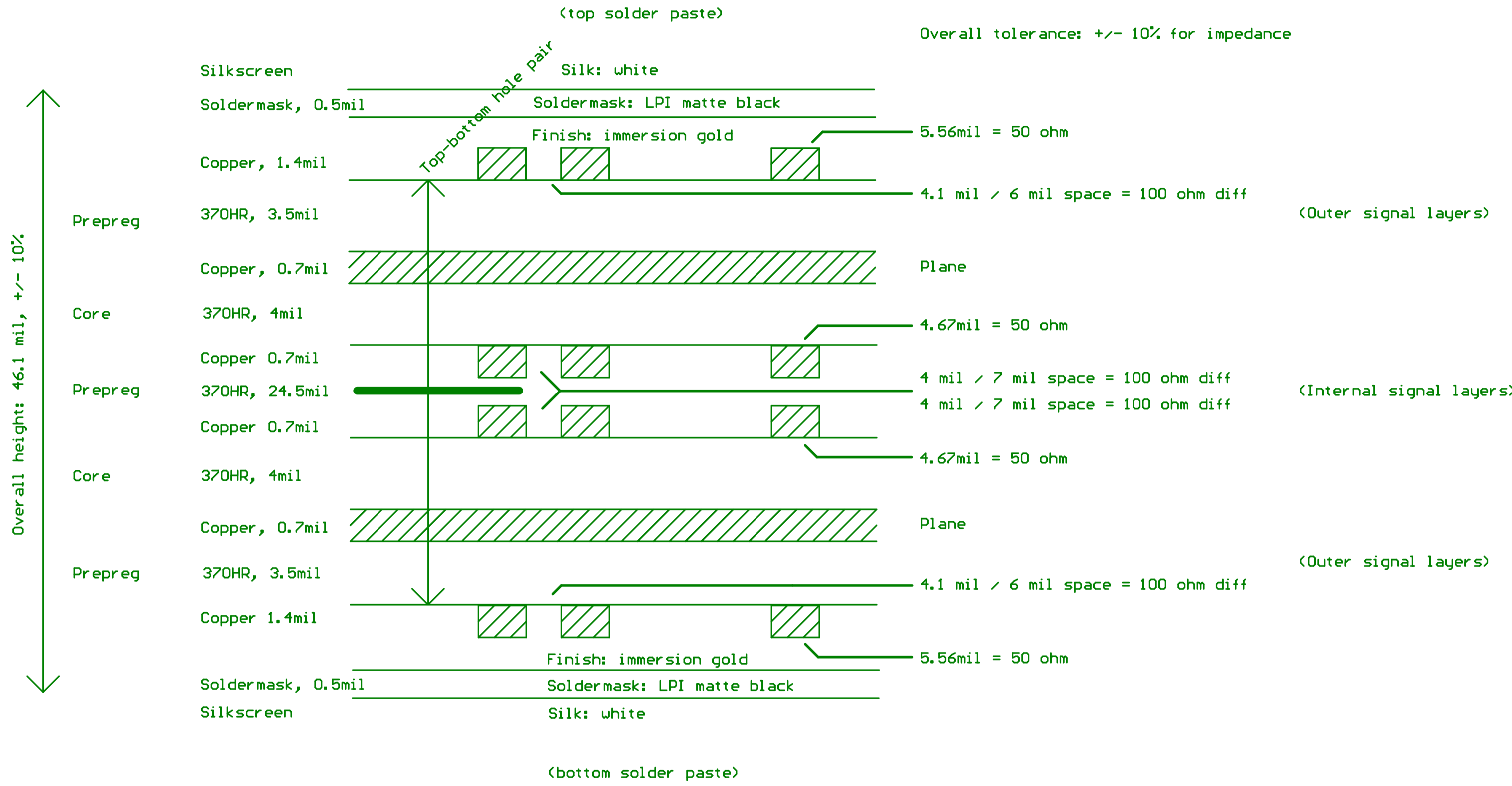
Board name: Gemini DUT Rev 1
 Contact: julian@pixelgenesis.com

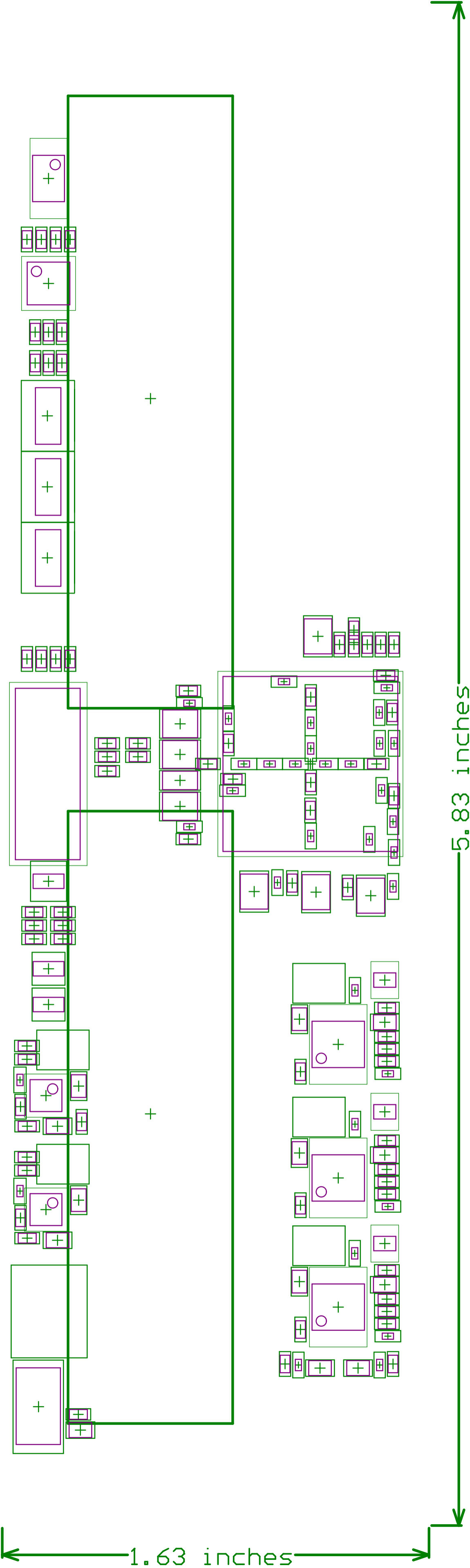
Mech via: 8 mil hole / 16 mil pad smallest
 Route: 4mil width / 4mil clearance smallest

File name extensions: Material and thickness

Trace width and impedance

- .GTP
- .GTO
- .GTS
- .GTL
- .GP1
- .G1
- .G2
- .GP2
- .GBL
- .GBS
- .GBO
- .GBP
- .GKO





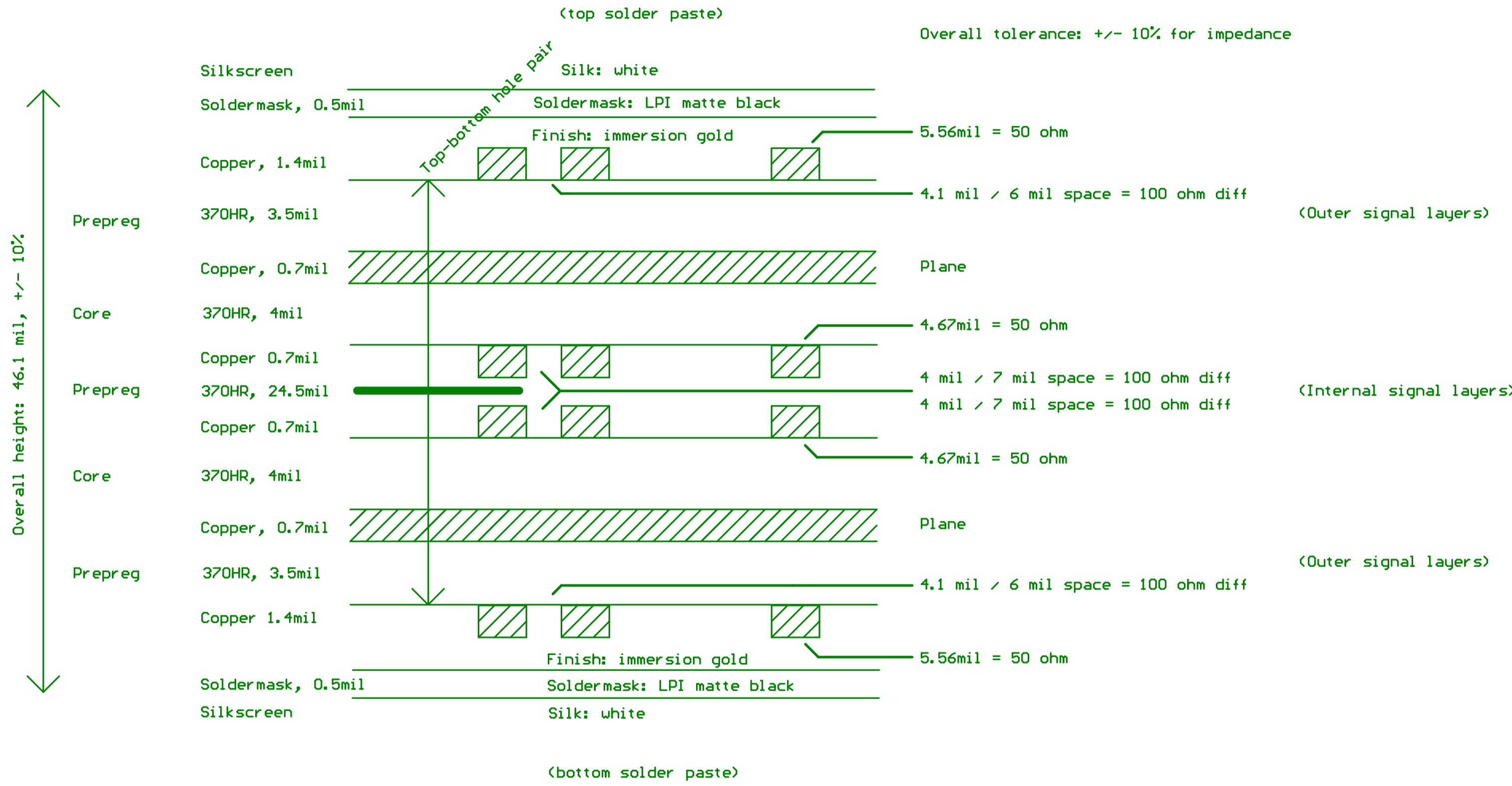
Board name: Gemini DUT Rev 1
 Contact: julian@pixelgenesis.com

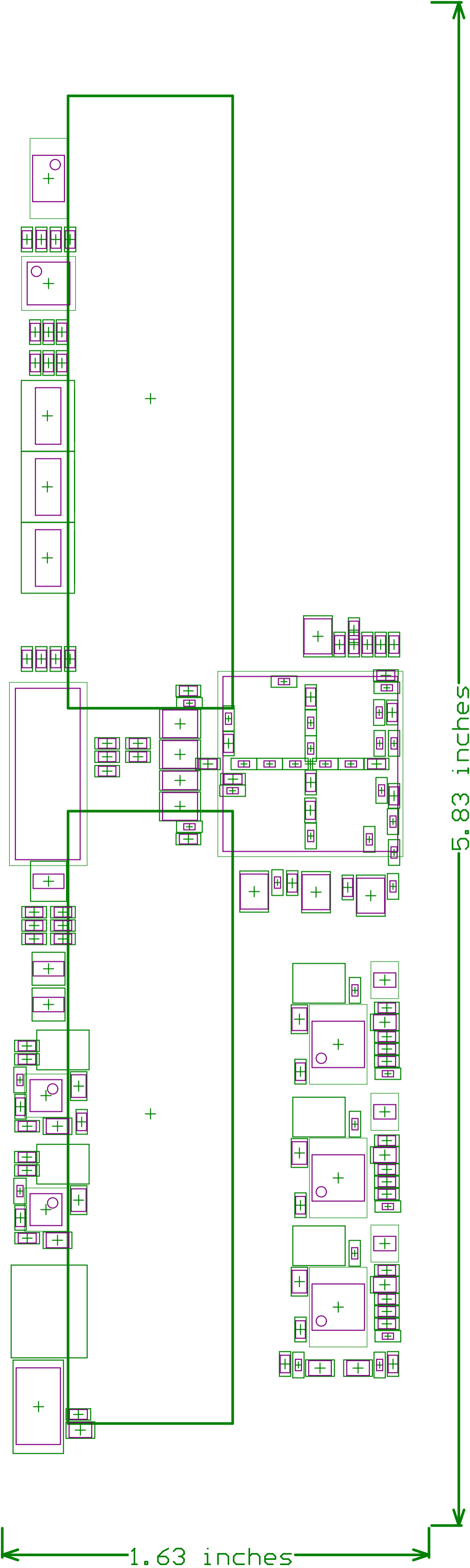
Mech via: 8 mil hole / 16 mil pad smallest
 Route: 4mil width / 4mil clearance smallest

File name extensions: Material and thickness

Trace width and impedance

- .GTP
- .GTO
- .GTS
- .GTL
- .GP1
- .G1
- .G2
- .GP2
- .GBL
- .GBS
- .GBO
- .GBP
- .GKO





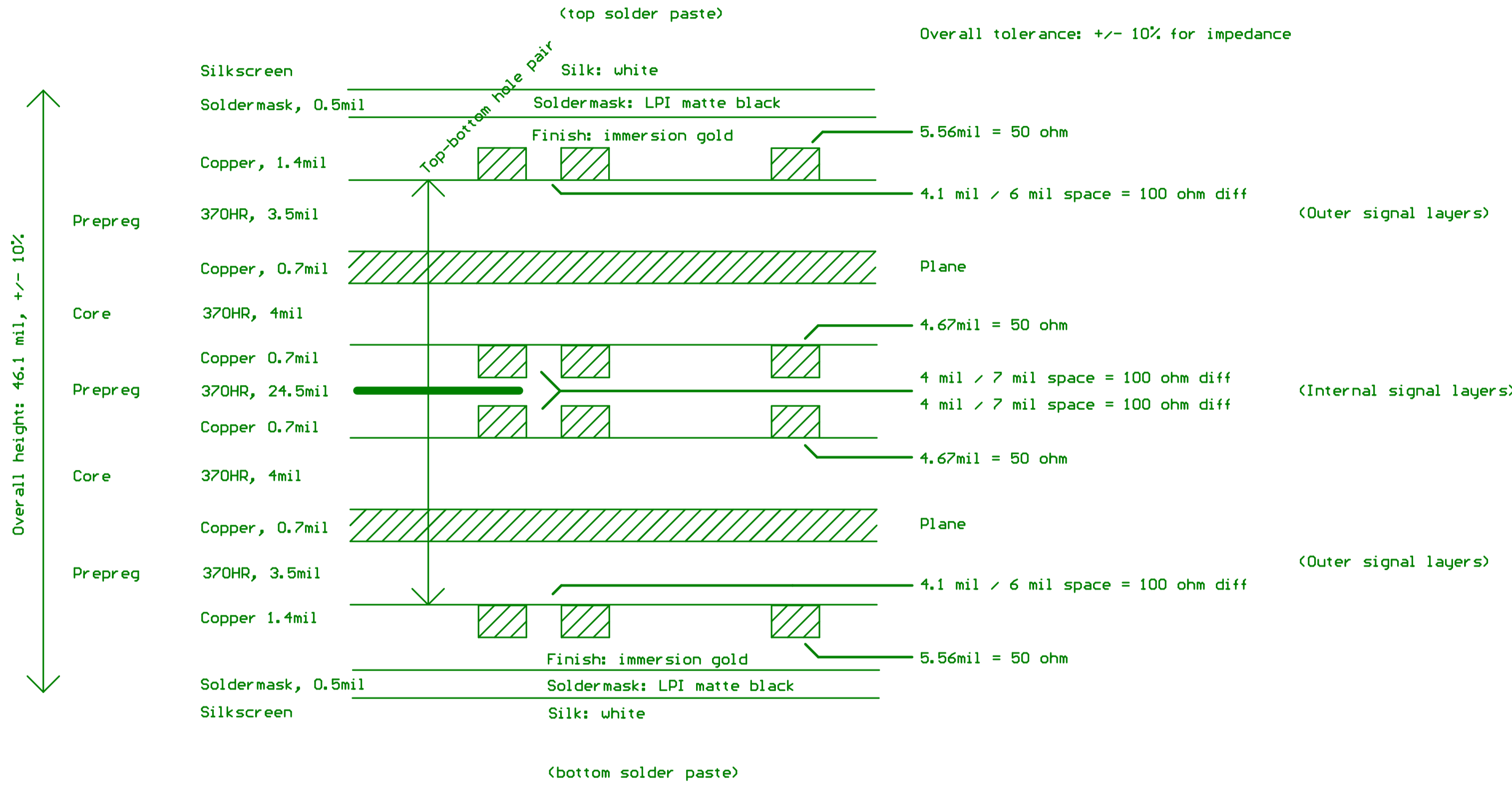
Board name: Gemini DUT Rev 1
 Contact: julian@pixelgenesis.com

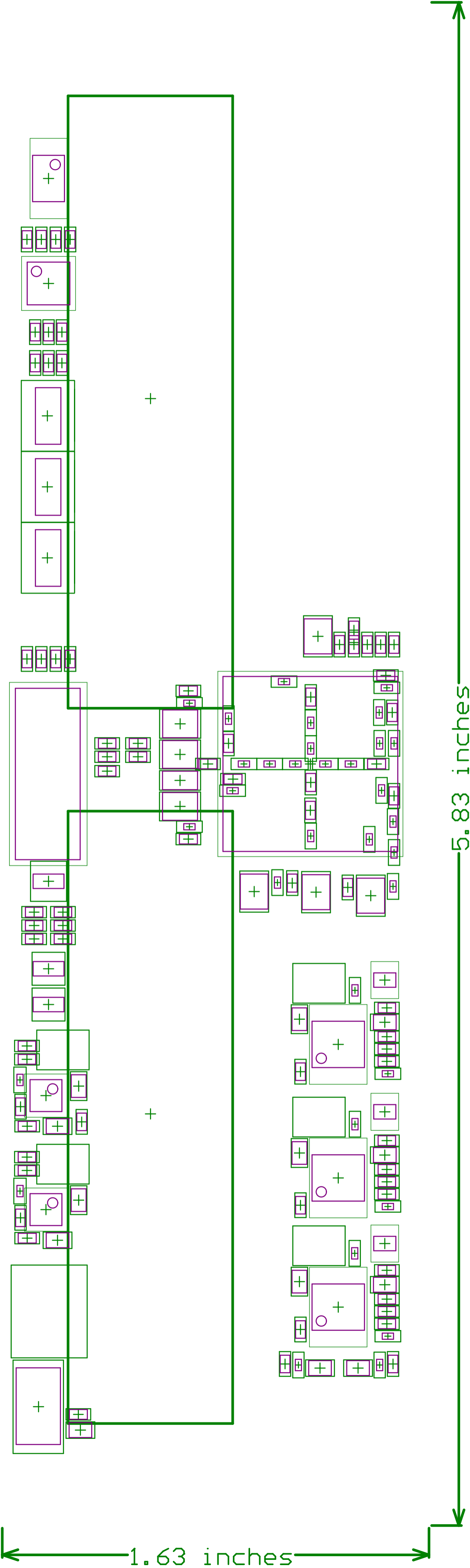
Mech via: 8 mil hole / 16 mil pad smallest
 Route: 4mil width / 4mil clearance smallest

File name extensions: Material and thickness

Trace width and impedance

- .GTP
- .GTO
- .GTS
- .GTL
- .GP1
- .G1
- .G2
- .GP2
- .GBL
- .GBS
- .GBO
- .GBP
- .GKO





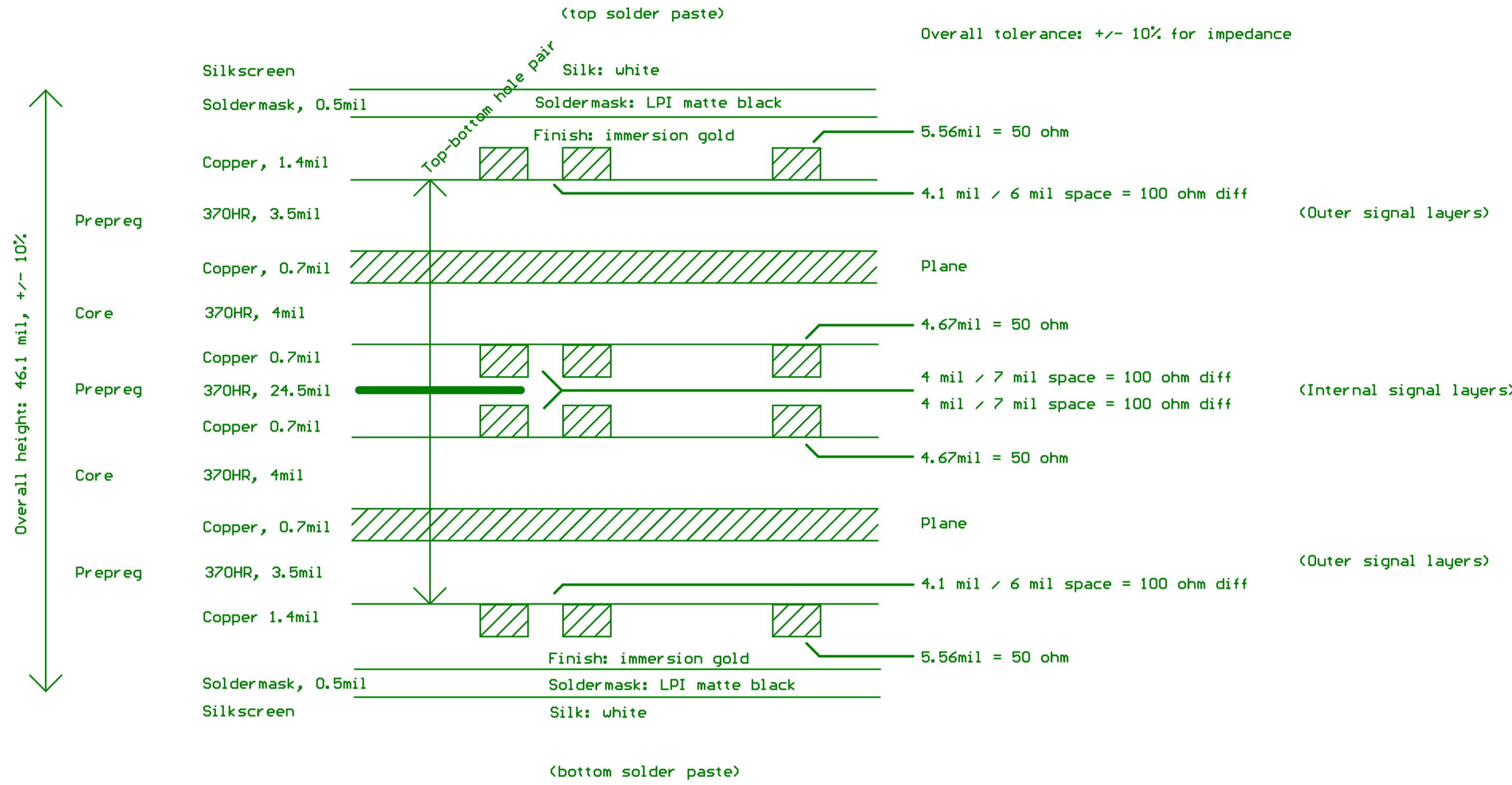
Board name: Gemini DUT Rev 1
 Contact: julian@pixelgenesis.com

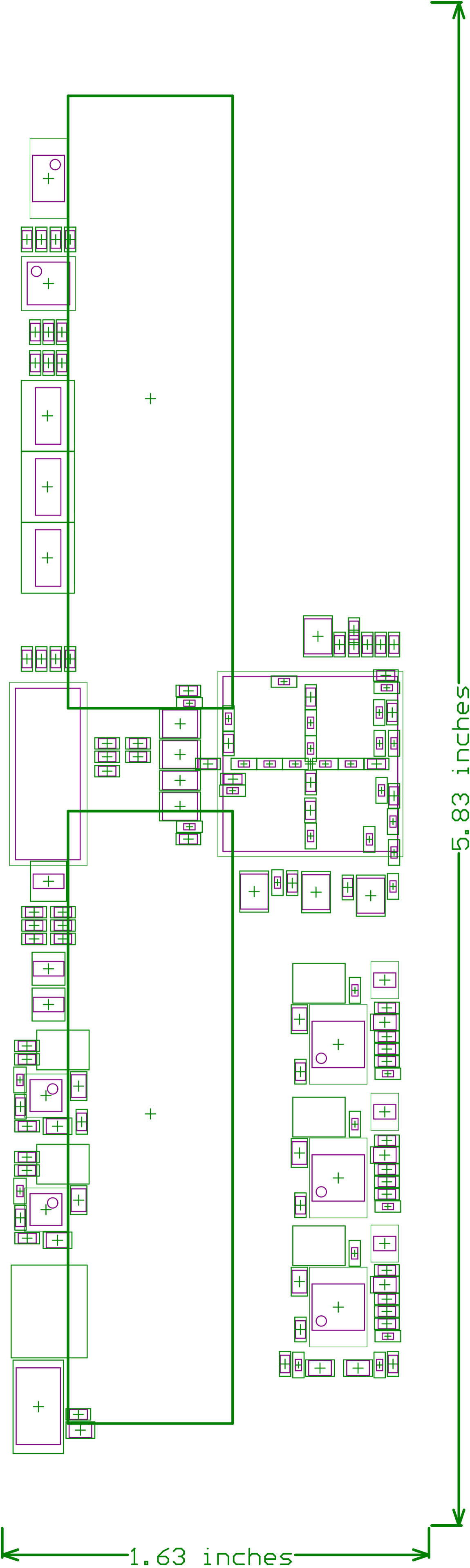
Mech via: 8 mil hole / 16 mil pad smallest
 Route: 4mil width / 4mil clearance smallest

File name extensions: Material and thickness

Trace width and impedance

- .GTP
- .GTO
- .GTS
- .GTL
- .GP1
- .G1
- .G2
- .GP2
- .GBL
- .GBS
- .GBO
- .GBP
- .GKO





Board name: Gemini DUT Rev 1
 Contact: julian@pixelgenesis.com

Mech via: 8 mil hole / 16 mil pad smallest
 Route: 4mil width / 4mil clearance smallest

File name extensions: Material and thickness

Trace width and impedance

- .GTP
- .GTO
- .GTS
- .GTL
- .GP1
- .G1
- .G2
- .GP2
- .GBL
- .GBS
- .GBO
- .GBP
- .GKO

